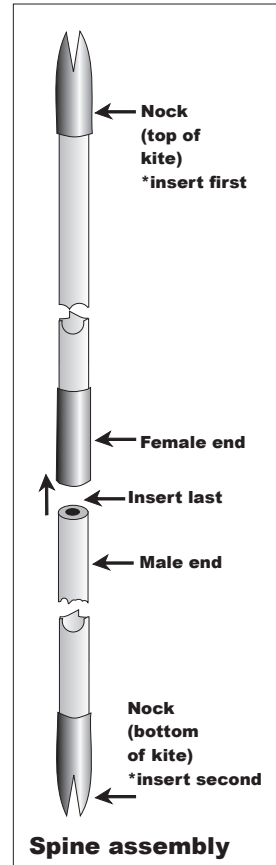
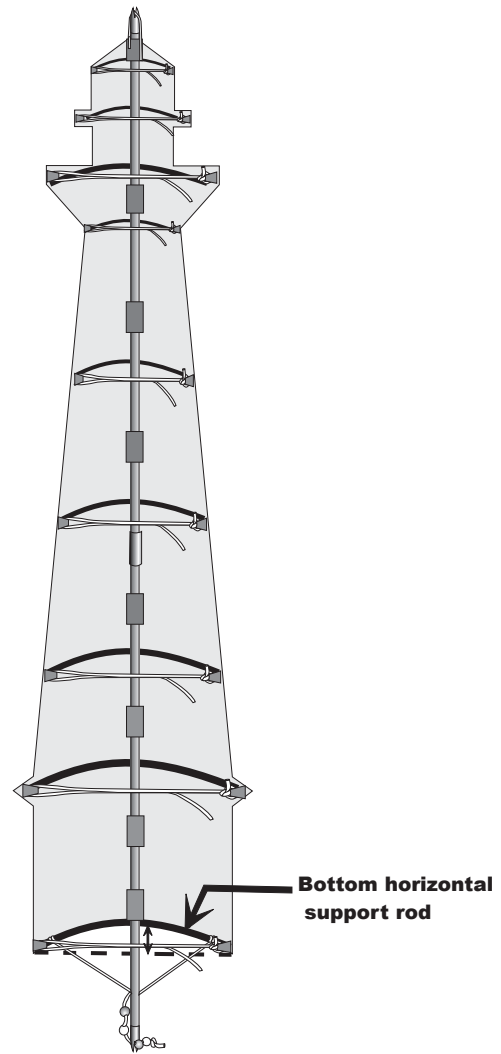
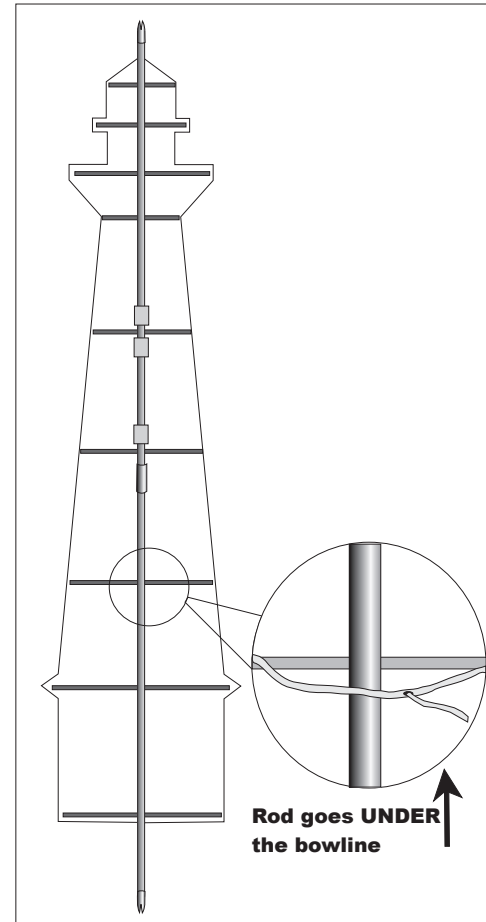


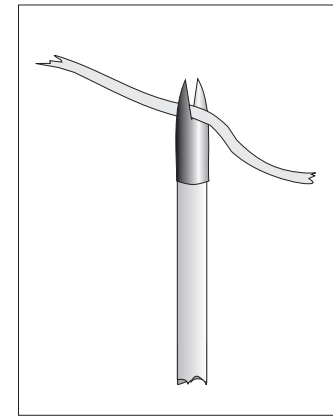
OVERALL DIAGRAM



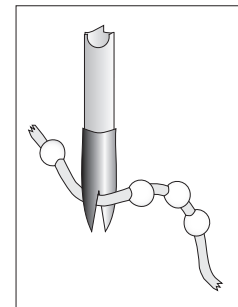
Step 2: the rods that hook together...



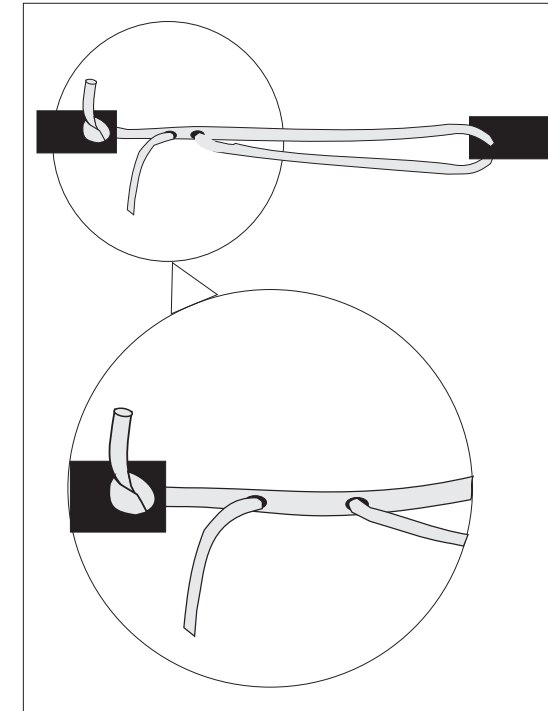
Step 3. Inert the spine...



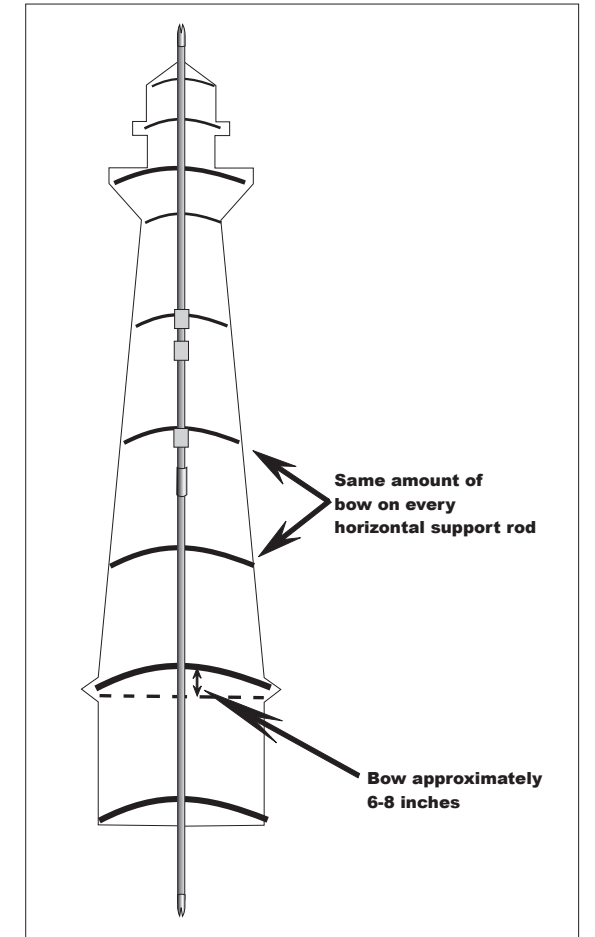
Step 4. Next find the loop of line...



Step 5: Now go to the bottom of the kite...



Step 6, Part A: Now you begin...



Step 6, Part B: To bow the rod, hold the bowline...