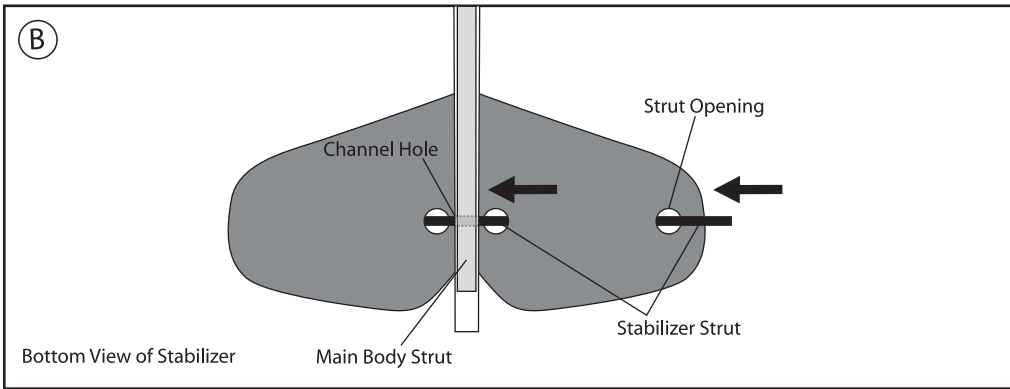


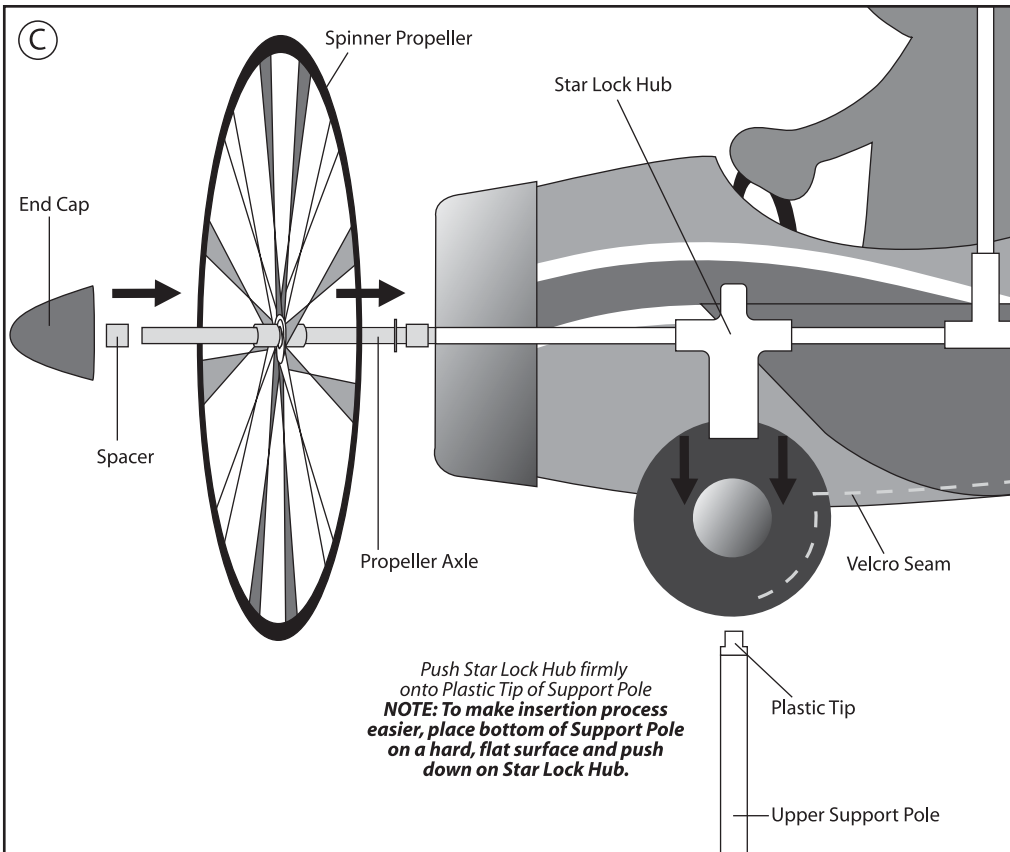
Step 1

Insert the Wing Strut into the opening at the wing tip of the wing. Slide it through the inside of the wing and through the Channel Hole in the fabric fuselage. Guide the Wing Strut through the Main Body Strut inside the fuselage and into the other wing to the end of the wing tip. This wing tip has no opening so the strut can not pass through. You may have to shift the Main Body Strut slightly to guide the Wing Strut through. (diagram A)



Step 2

Insert the Stabilizer Strut into the opening on the Stabilizer. Slide it all the way through the Main Body Strut and Stabilizer to the opposite wing tip. (diagram B)



Step 3

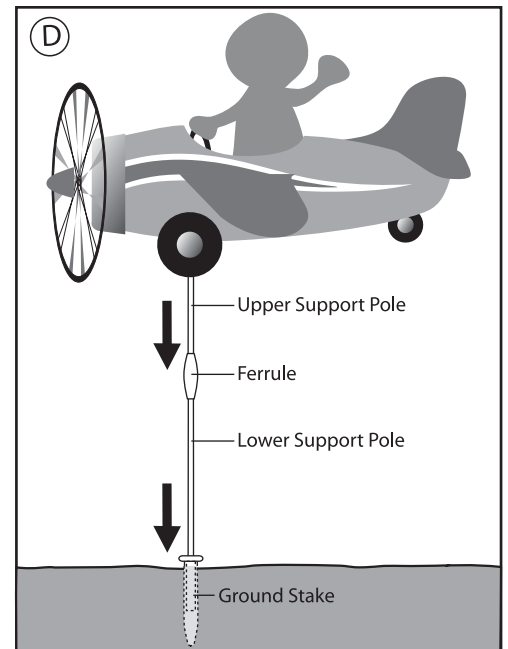
Remove the wooden End Cap and Spacer from the Propeller Axle exiting from the front of the fuselage. Slide the Spinner Propeller onto the Axle. Replace the Spacer and wooden End Cap. (diagram C)

Step 4

Open the Velcro seam along the bottom of the fuselage. Slide the narrow, plastic tipped end of the Upper Support Pole into the Star Lock Hub. Push down on the hub until The Support Pole locks into place and can not be removed. Close Velcro Seam. (diagram C)

Step 5

Drive Ground Stake into ground and insert the non-ferruled end of the Lower Support Pole. Insert Upper Pole of assembled Pilot Pal Spinner into the ferrule. (Diagram D)



PLEASE NOTE: It is recommended that you take your Pilot Pal Spinner inside during storms and harsh weather to preserve its durability.