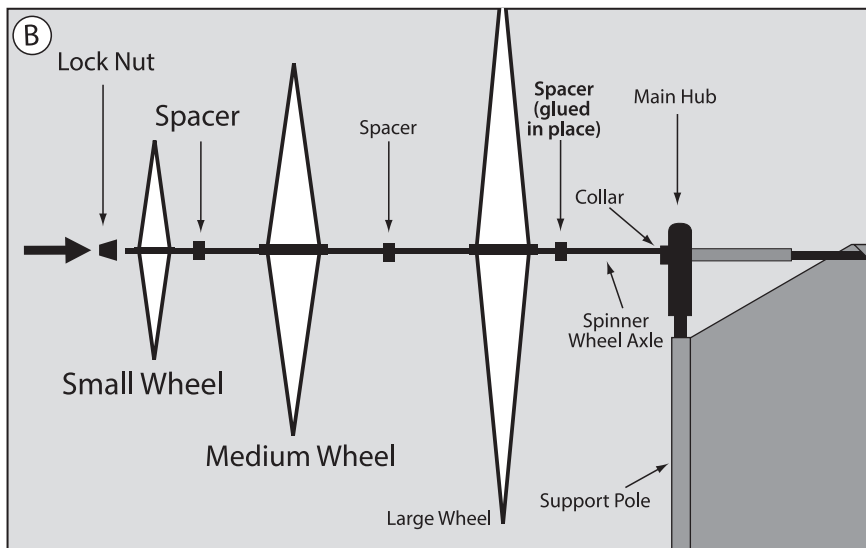


Step 1

Slide the upper support rod attached to the hub into the vertical sleeve on the sail. Insert the sail strut into the sleeve opening and slide it all the way through the horizontal sleeve and into the Aluminum Ferrule. The sail assembly is now complete. (Diagram A)



Step 2

Slide the spacers and the spinning wheels onto the Spinner Wheel Axle in the order shown in Diagram B. The first spacer is glued into place. Slide the large wheel, then one spacer, then the medium wheel, followed by one more spacer and then the lock nut. The lock nut will serve as the end cap for the spinning wheel assembly. Align the spacers so that they will keep the spinning wheels equidistant apart. This assembly is now complete. (Diagram B)

Step 3

Drive Ground Stake into ground and insert non-ferruled end of Lower Support Pole into Ground Stake. Slide Spinner assembly onto the Lower Support Pole by inserting the ferruled-end of the Lower Support pole up into the vertical sleeve on the sail. Insert the lower end of the Upper Support Rod into this ferrule. (Diagram C)

PLEASE NOTE: Although your Garden Spinner is constructed with UV resistant SunTex™ fabric, to preserve its durability, we recommend taking it inside during harsh weather or when not in use.

