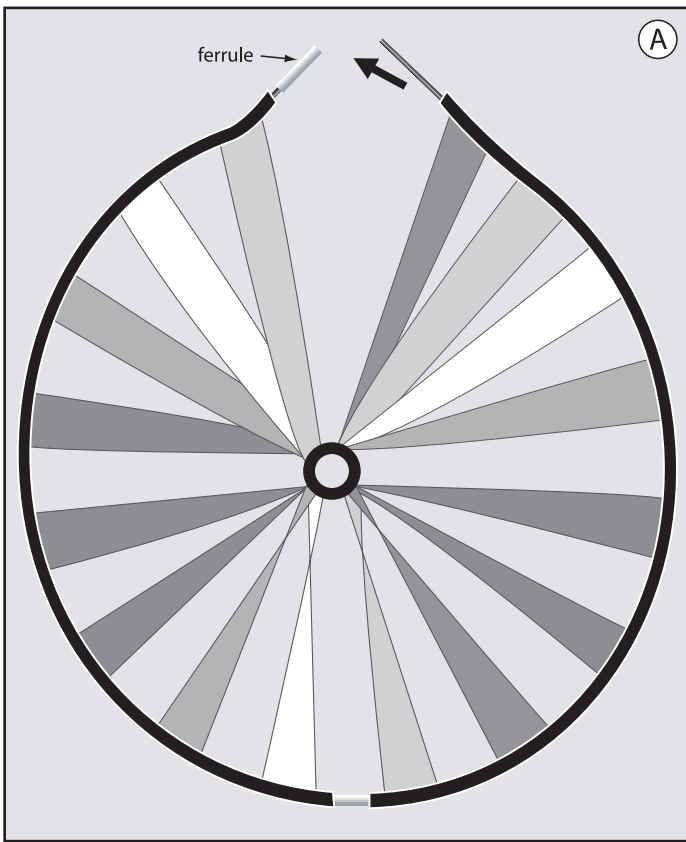


# 24" Twin Wheel



## Step 1

Remove and discard string tying ends of Wheel Halves.

## Step 2

Join ends of Wheel Halves at ferrules to assemble Wheels. (diagram A)

## Step 3

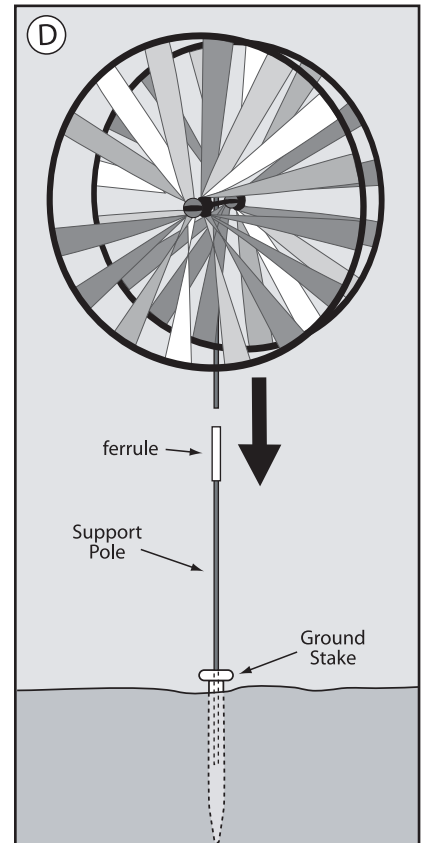
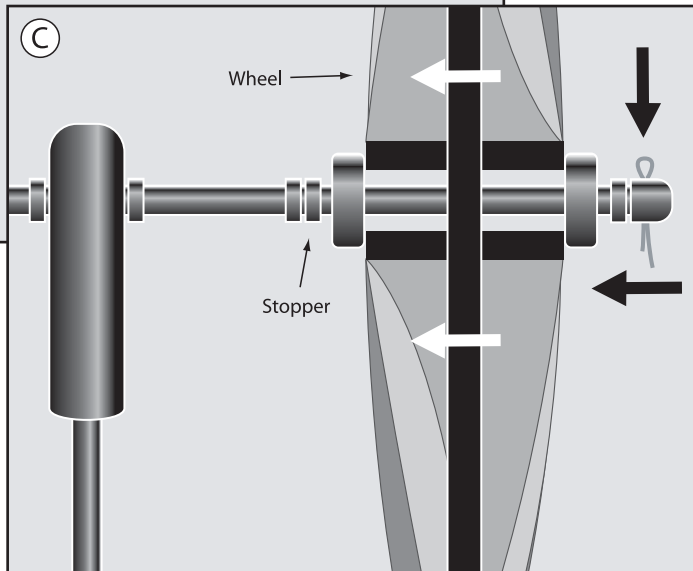
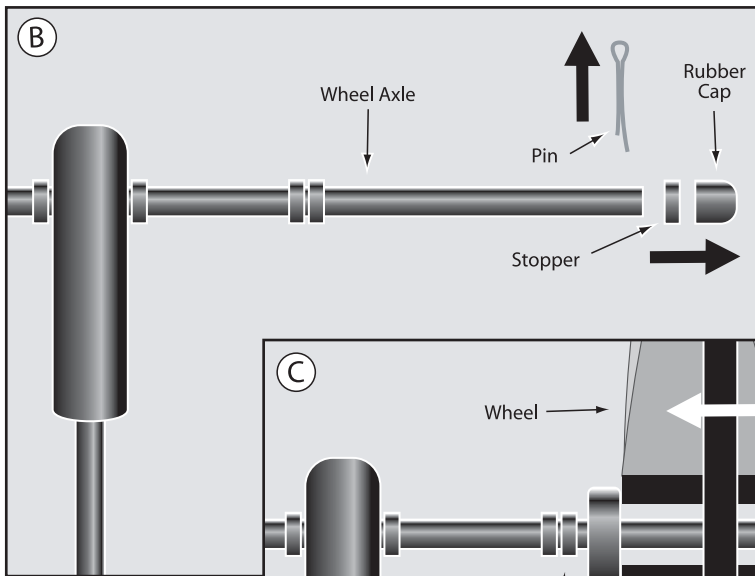
Remove Pin from one end of Wheel Axle and slide off Rubber Cap and first Stopper. (diagram B)

## Step 4

Slide one of the completed Wheels onto Wheel Axle up to second Stopper. Replace first Stopper and Rubber Cap on end of Wheel Axle and reinsert Pin. Repeat on other end of Wheel Axle using second Wheel. (**Note: Wheels should spin in opposite directions**) (diagram C)

## Step 5

Pound Ground Stake into ground and insert non-ferruled end of Support Pole into Ground Stake. Insert pole section of completed Twin Wheel into ferrule on top of Support Pole. If additional height is desired, use second Support Pole provided. (see diagram D)



**CAUTION:** To prolong life of Twin Wheel, never leave out in storms, bad weather, or in winds of over 20mph.