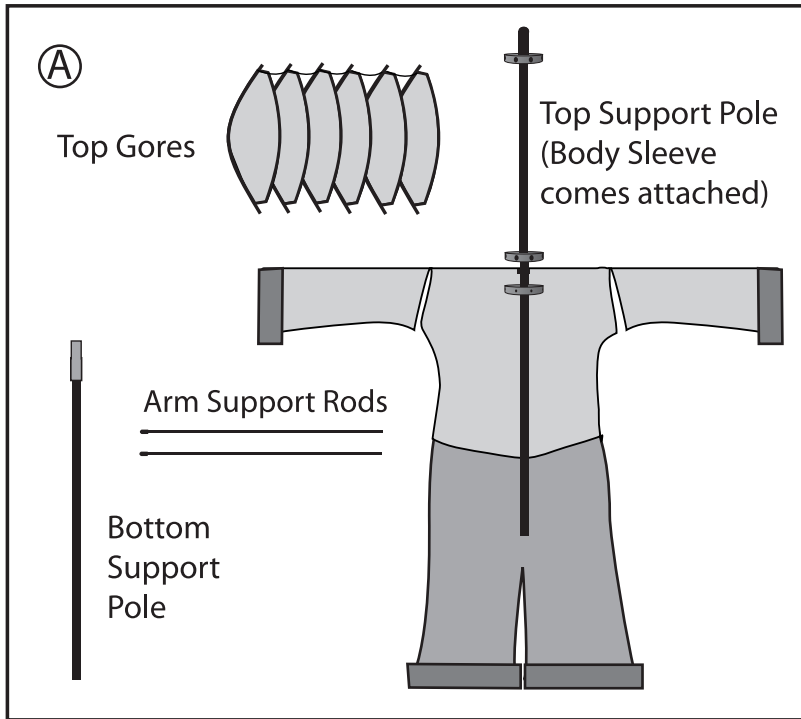


# Spinning Friend assembly instructions



**Step 1**  
Identify gores and support poles (Diagram A).

**Step 2**  
Attach the Upper Gore. Stretch the set of gores so they are now surrounding the Top Support Pole. Starting with panel A of the Upper Gore, insert each gore strut into the strut holes on the top and bottom disc of the Upper and Lower Hub (Diagram B).

**Step 3**  
Insert the Arm Support Rods into the Body Sleeve with the capped end resting in the arm sleeves. Insert the uncapped end into the hub sewn inside the Body Sleeve. There are multiple holes drilled around this hub. Please note that two of these holes are larger than the others. Insert the Arm Support Rods into the two large holes (Diagram C).

**Step 4**  
Next, connect the Upper and Lower Support Pole. Slide the Lower Support Pole through the opening in the bottom of the Body Sleeve. Then insert the Upper Support Pole into the ferrule of the Lower Support Pole (Diagram C).

**Step 4**  
Please note that if a mistake is made putting in the panels, they can be removed by unscrewing the hub. Use a small phillips or flathead screwdriver.

