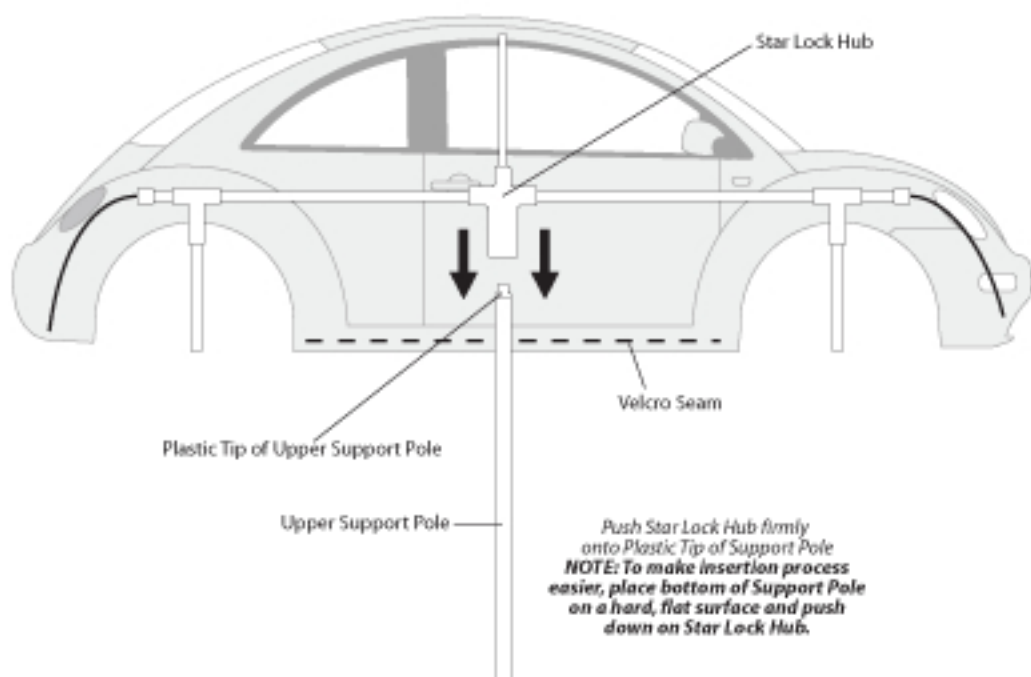


(A) Officially licensed
by Volkswagen



Step 1

Remove your 22" VW Beetle Spinner from the package. Open the Velcro seam along the bottom of the Beetle.

Step 2

Slide the narrow, plastic tipped end of the Upper Support Pole into the Star Lock Hub. Push down on the hub until the Support Pole locks into place and can not be removed. Close Velcro Seam. Completed Internal Strut Assembly should match Diagram A.

Step 3

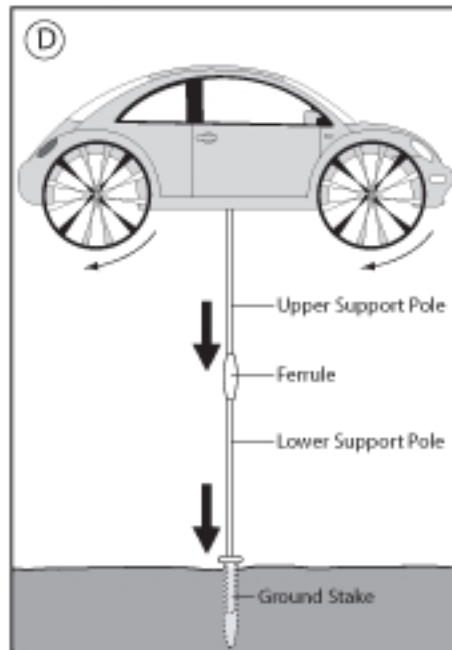
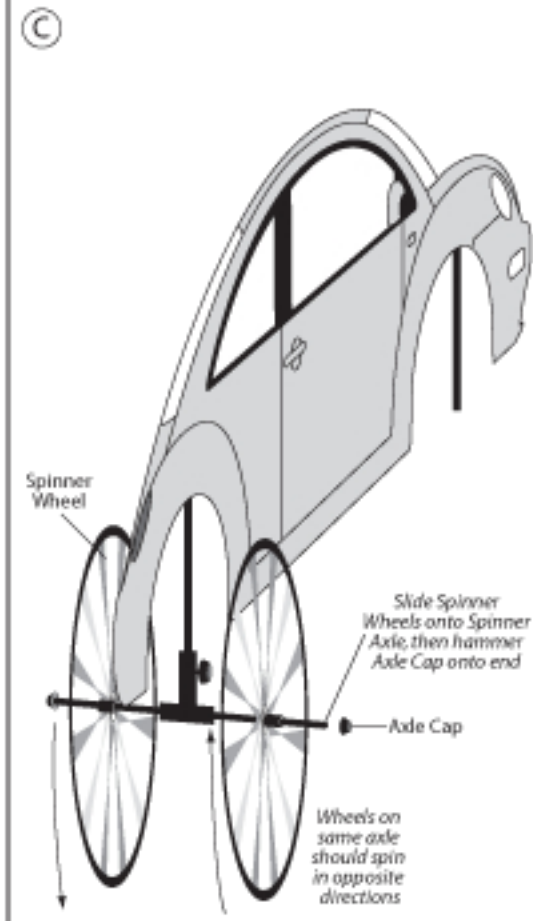
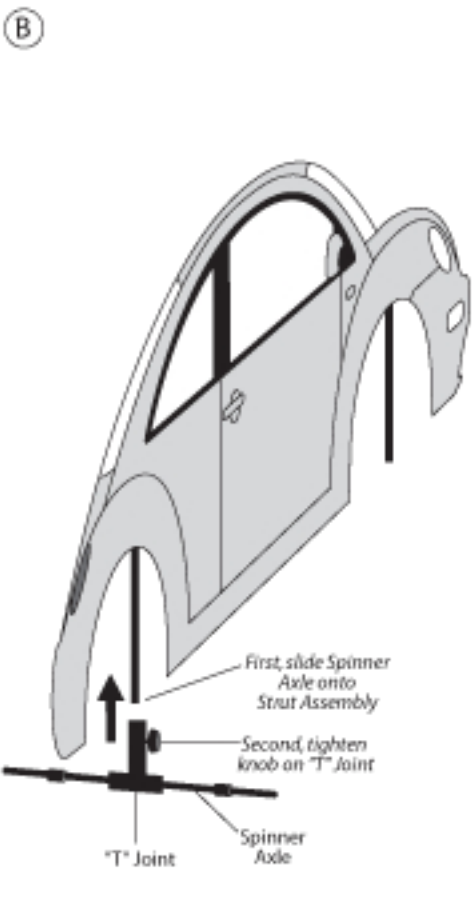
Slide the Spinner Axles onto the Wheel Strut Assemblies. Tighten knobs on the "T" Joints to hold the Axles to the Struts. (Diagram B)

Step 4

Take one of the four Spinner Wheels and slide it onto one of the two Spinner Axles. Slide second Spinner Wheel onto Spinner Axle. (**Note: Spinner Wheels on same side of the Beetle should spin in same direction and Spinner Wheels on same axle should spin in opposite directions. Before putting second Axle Cap into place, make sure wheels spin as shown in diagrams C and D.**) Pound second Axle Cap onto uncapped end of Spinner Axle using a mallet or piece of wood. (Diagram C)

Step 5

Drive Ground Stake into ground and insert the non-ferruled end of the Lower Support Pole into the Ground Stake. Insert Upper Pole of assembled Beetle Spinner into the ferrule. (Diagram D)



PLEASE NOTE: It is recommended that you take your VW Beetle Spinner inside during storms and harsh weather to preserve its durability.