

Step 1

Open the Velcro closure on the Front Body Half and insert the Front Body Rod into the Main Hub within the fabric sleeve of the Front Body Half. Reclose the Velcro closure. The completed Strut Assembly should match Diagram A.

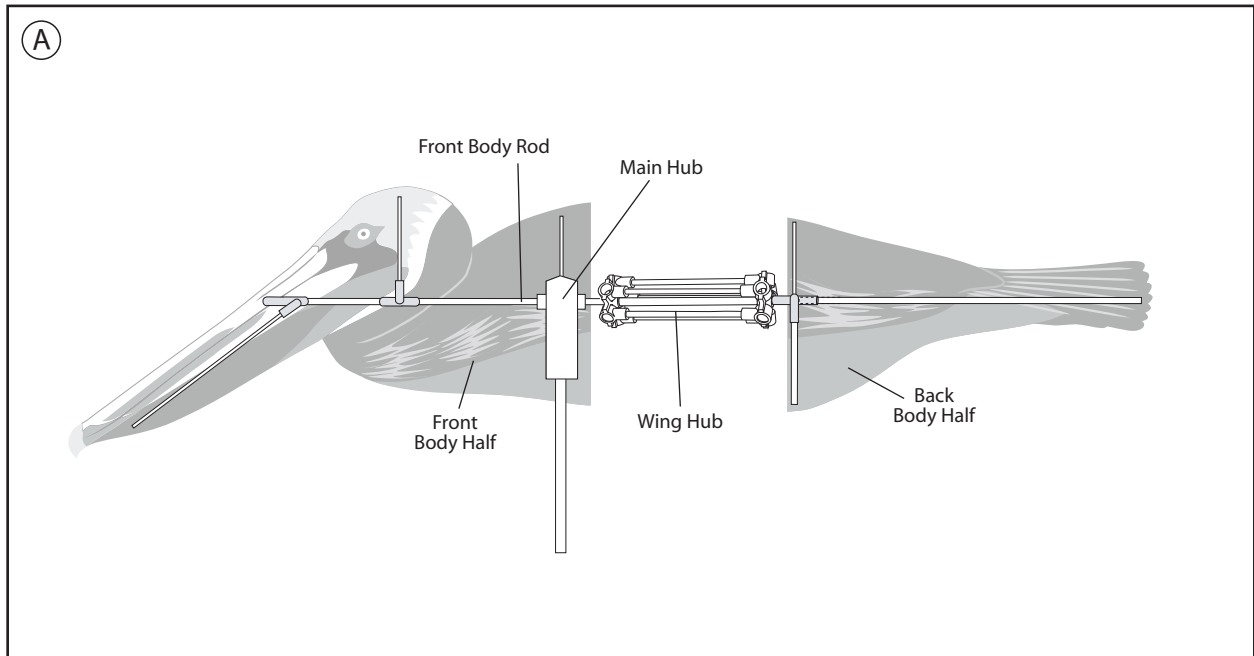
Step 2

Attach Wing Fins to Wing Hub. Please note that Wing Fins are inserted at an offset pattern. Make sure Wing Fins are fully inserted into hub holes. You will hear a "click" sound when the pins are in all the way. (Diagram B)

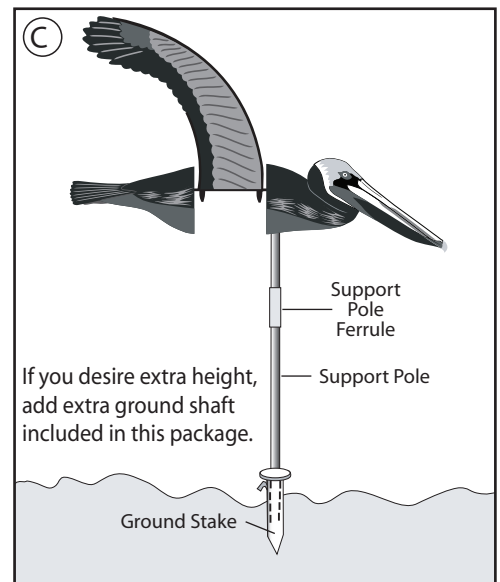
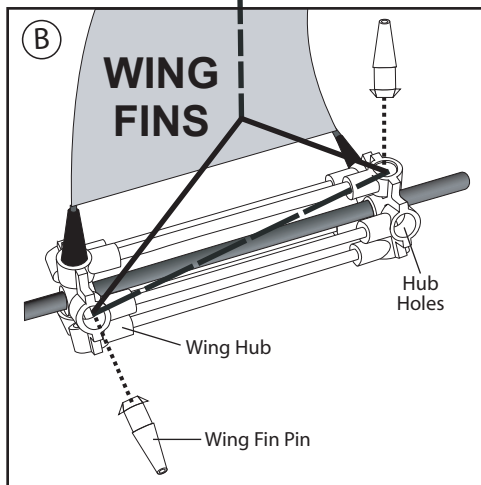
PLEASE NOTE: If you make a mistake in the placement of the Wing Fins (i.e. backward, wrong color sequence etc.), you can remove them by carefully inserting a small flat end screwdriver between the base of the Wing Fin Pin and the hub and pushing it up and out.

Step 3

Drive Ground Stake into ground and insert non-ferruled end of Support Pole into Ground Stake. Slide Main Hub Assembly into Support Pole Ferrule. (Diagram C)



PLEASE NOTE THAT WING FINES ARE INSERTED AT AN OFFSET PATTERN



PLEASE NOTE: Although your Garden Spinner is constructed with UV resistant SunTex™ fabric, it is recommended that you take it inside during storms and harsh weather to preserve its durability.