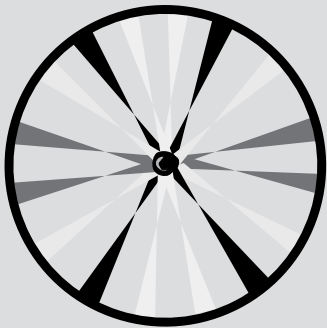
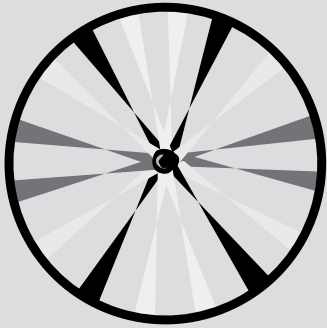


P-38 Lightning Airplane Spinner

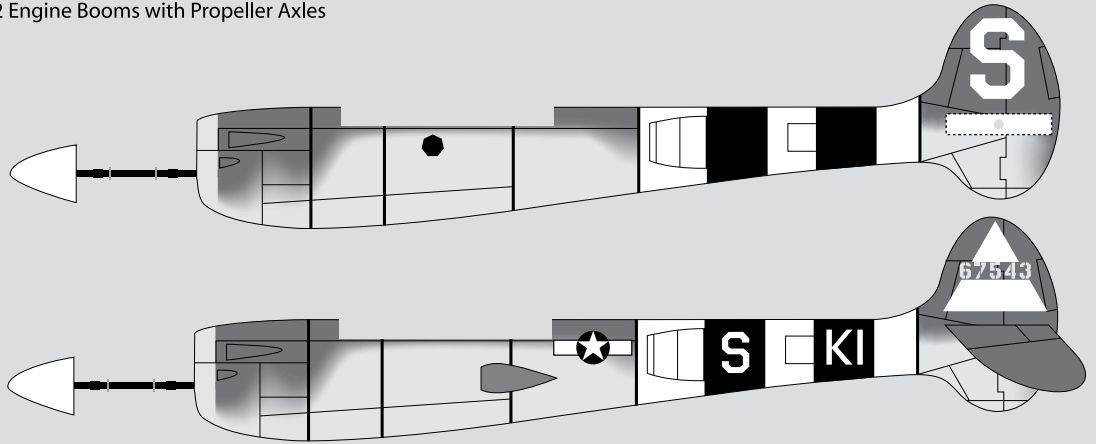
assembly instructions

sku #26316

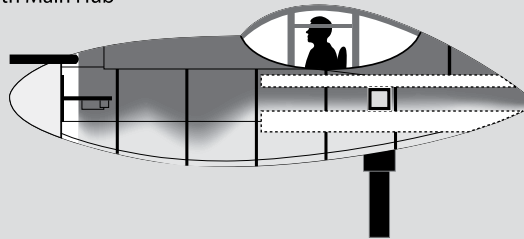
2 Spinner Propellers



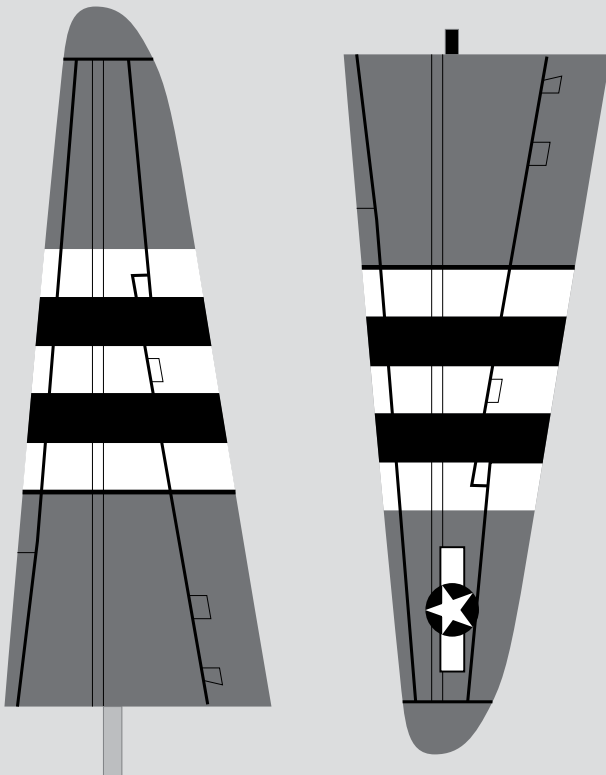
2 Engine Booms with Propeller Axles



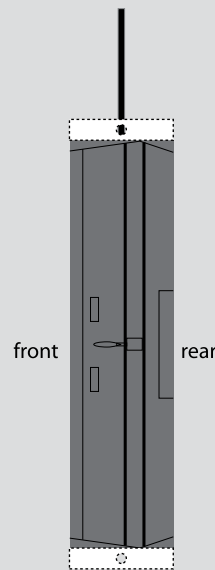
1 Cockpit Pod with Main Hub



2 Airplane Wings with Wing Struts



1 Center Tail Section with Tail Strut



1 Support Pole & Ground Stake Set



Step 1

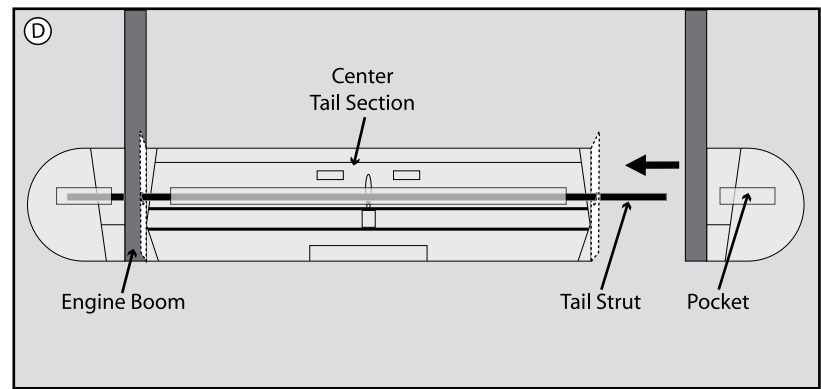
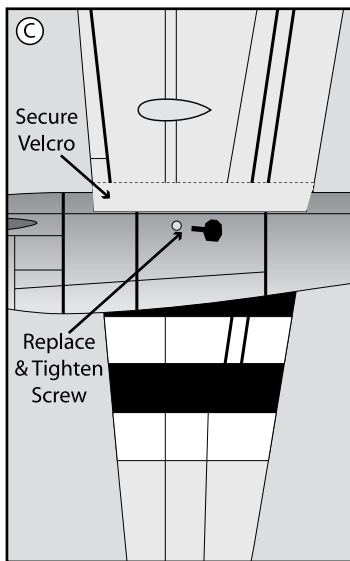
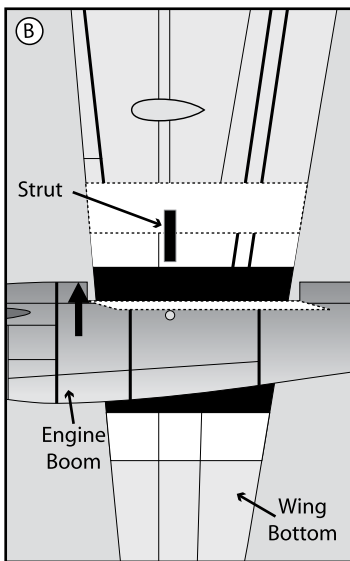
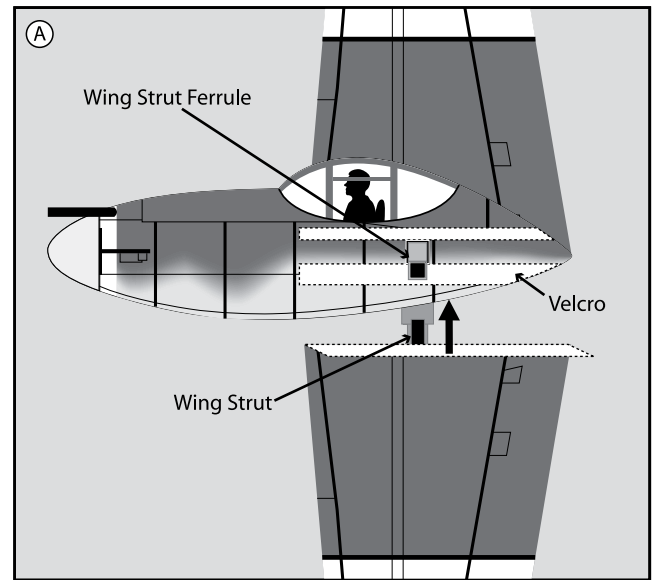
Fold back the Velcro strips on the right wing and slide the Wing Strut Ferrule through the channel in the Main Hub of the Cockpit Pod. Slide the Wing Strut of the left wing into the Ferrule. Secure both sets of Velcro to the Cockpit Pod. Diagram A.

Step 2

Remove the screws from the fittings in the Engine Booms. Slide the fitting all the way over the Strut extending down from the bottom of the Wing. The Wing should fit into the notch cut out of the top of the wing. Replace and tighten the Screw into the fitting. Secure the Velcro strips. Repeat with second Engine Boom. (NOTE: Make sure the Screws face the Cockpit Pod). Diagrams B & C.

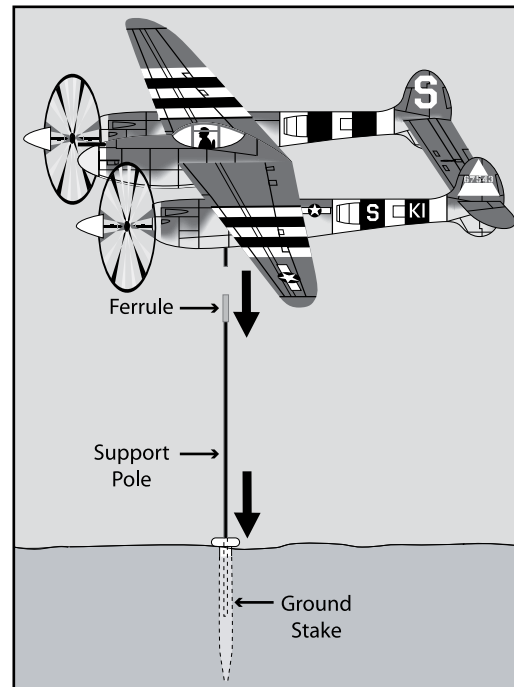
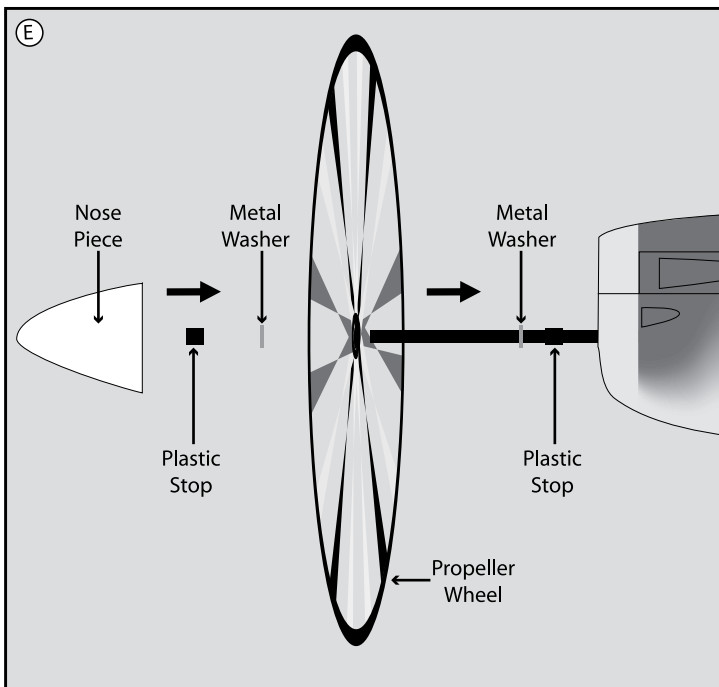
Step 3

Position the Tail Strut through the holes in the Velcro tabs of the Center Tail Section. Velcro one of the tabs to the Engine Boom Tail Section and slide the Tail Strut through the channel in the Engine Boom and into the pocket on the Outer Tail Section. Slide the other Engine Boom onto the Tail Strut and insert the Strut into the pocket. Secure the Velcro on the Center Tail Section to the Engine Boom. Diagram D.



Step 4

Remove the Nose Piece, one Plastic Stop, and one Metal Washer from one of the Propeller Axles. Slide one Propeller Wheel onto the Axle and replace the removed parts. Repeat with second Propeller. Diagram E.



Step 5

Pound Ground Stake into ground and insert non-ferruled end of Support Pole into Ground Stake. Insert Upper Pole Section of completed P-38 Lightning Spinner into ferrule on top of Support Pole. Diagram F.

PLEASE NOTE: Although your Airplane Spinner is constructed with UV resistant SunTex™ fabric, it is recommended that you take it inside during storms and harsh weather to preserve its durability.