

## Step 1

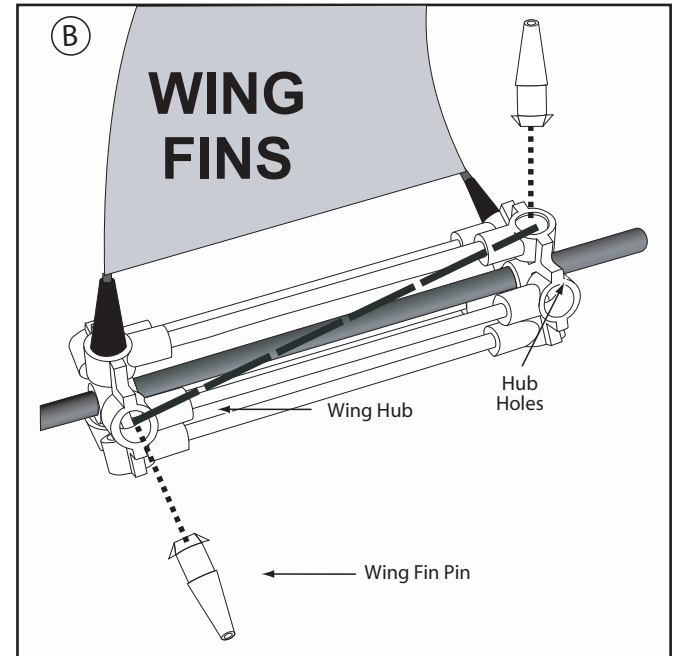
The Strut Assembly of your Parrot is in two pieces within the fabric sleeve of the body. Begin by unfolding this sleeve and opening all of the velcro closures along the exterior edge of the figure.

## Step 2

Insert the main vertical strut into the hub from within the fabric sleeve of the figure (diagram A). Re-seal the velcro closures along the exterior edge of the figure.

## Step 3

Attach Wing Fins to Wing Hub. **Please note that Wing Fins are inserted at an offset pattern.** (diagram B) Make sure Wing Fins are fully inserted into hub holes. You will hear a "click" sound when the pins are all the way in.

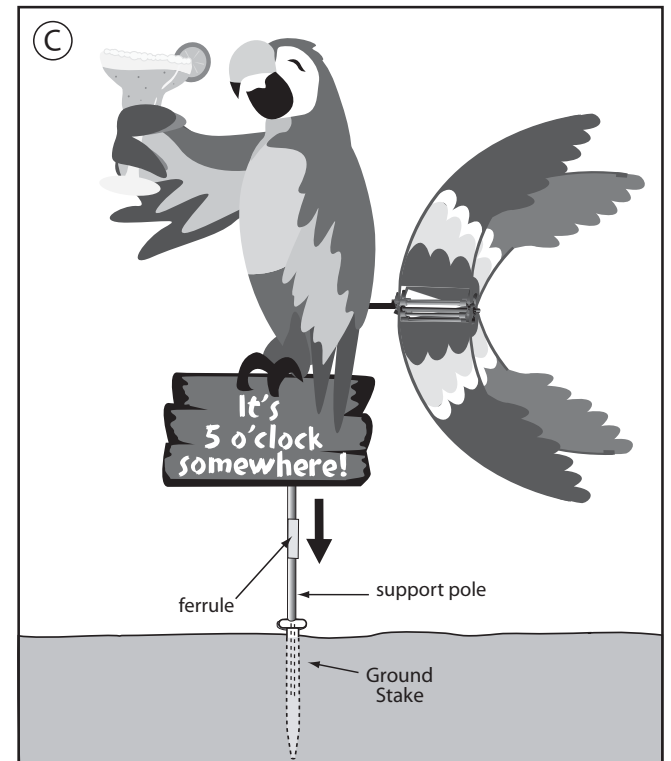
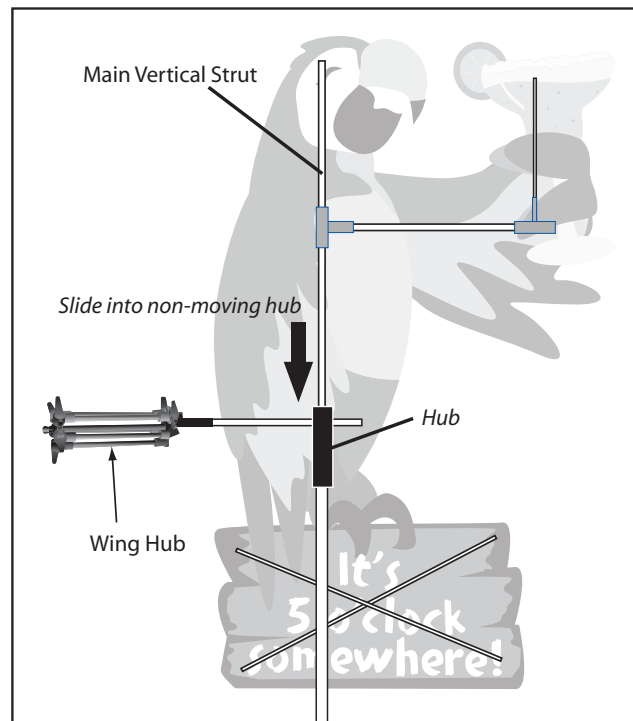


PLEASE NOTE: If you make a mistake in the placement of the Wing Fins (i.e. backward, wrong color sequence etc.), you can remove them by carefully inserting a small flat end screwdriver between the base of the Wing Fin Pin and the hub and pushing it up and out.

## Step 4

Drive Ground Stake into ground. Slide Support Pole into Ground Stake. Slide Main Hub Assembly with Garden Spinner over Support Pole Ferrule. (diagram C)

PLEASE NOTE: Although your Garden Spinner is constructed with UV resistant SolarMax™ fabric, to preserve its durability, we recommend taking spinner inside during harsh weather or when not in use.



**PREMIER KITES**

Hyattsville, Maryland USA  
www.premierkites.com

call 1.888.416.0174  
MADE IN CHINA