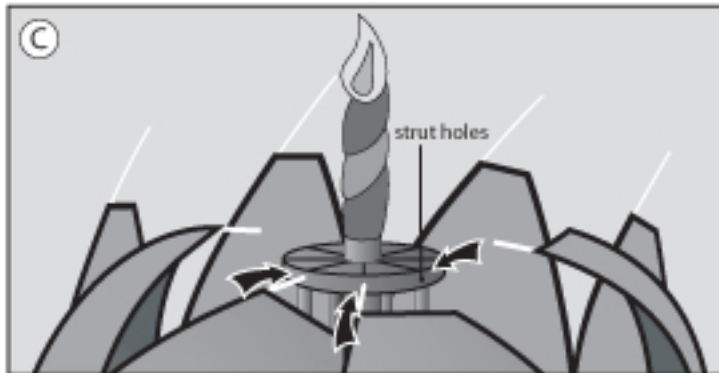
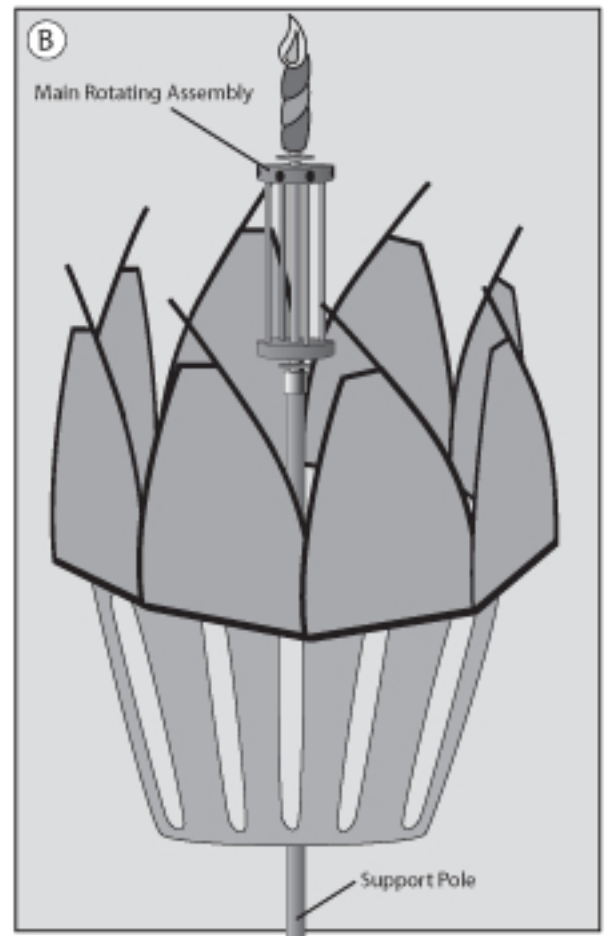
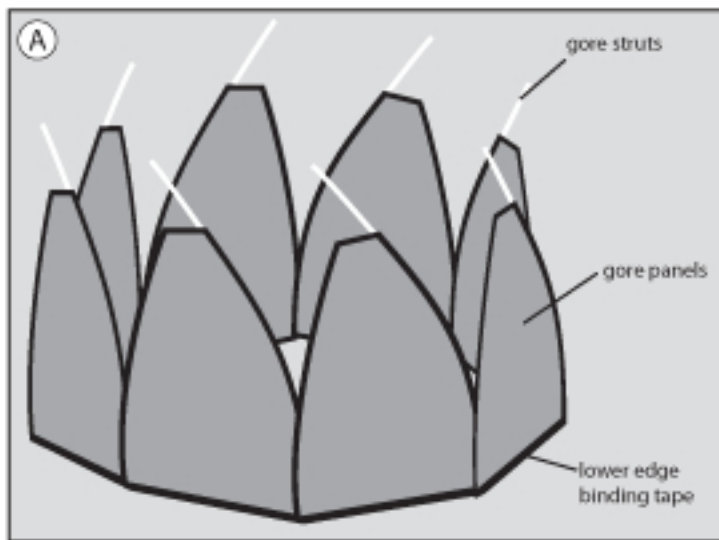


# Cupcake Spinner

assembly  
instructions

sku #25384



## Step 1

Remove gore panels from package and unfold. Make sure that the lower edge binding tape is not twisted or bunched. (diagram A)

## Step 2

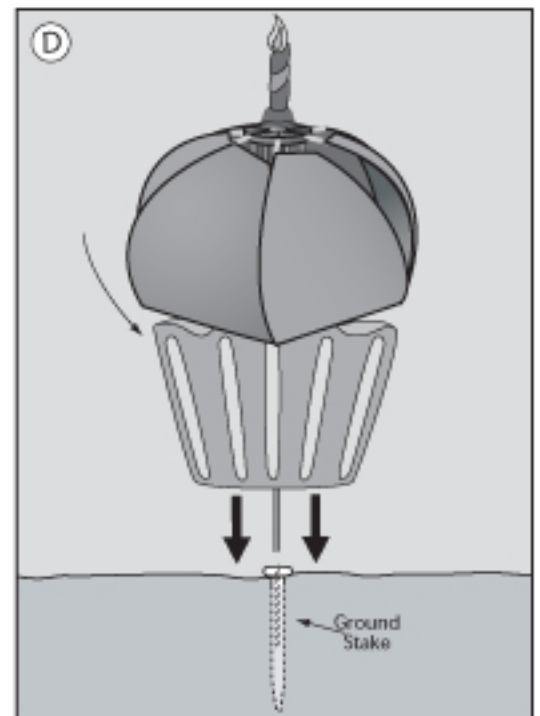
Slide the Main rotating assembly through the center of the ring of gore panels with the support struts all facing up and curved in the same direction.

## Step 3

Insert the gore struts into the strut holes on the top disc of the main rotating assembly. (diagram C)

## Step 4

Pound Ground Stake into ground and insert non-ferruled end of Support Pole into Ground Stake. (diagram D)



**PLEASE NOTE:** Although your Cupcake Spinner is constructed with UV resistant SunTex™ fabric, it is recommended that you take it inside during storms and harsh weather to preserve its durability.