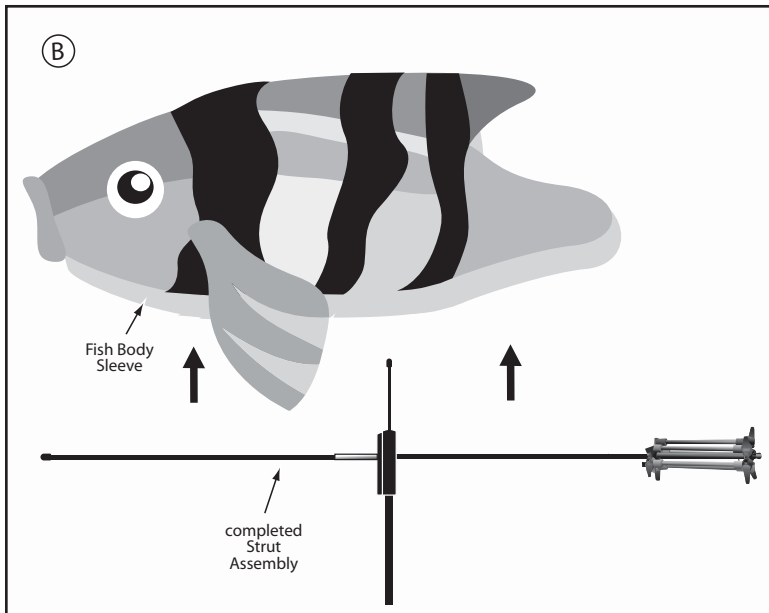


Step 1

The Strut Assembly of your Fish Spinner is shipped in two sections. Connect Center Rod of Rear Strut Assembly to Center Rod of Front Strut Assembly by joining ends of Ferrule Connector as shown. Insert Vertical Support Rods into joint on Center Rod as shown. (diagram A)

Step 2

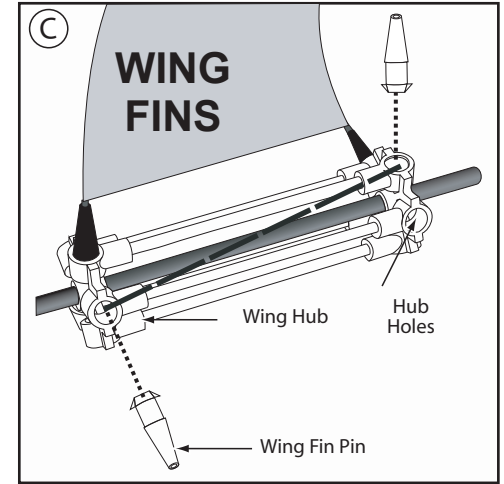
Open velcro straps and insert completed Strut Assembly into bottom of Fish Sleeve as shown. Reclose velcro straps. (diagram B)



Step 4

Drive Ground Stake into ground. Slide Ground Shaft into Ground Stake. Slide Main Hub Assembly with Garden Spinner over Ground Shaft Ferrule. If you desire extra height, add extra ground shaft included in this package. (diagram D)

PLEASE NOTE: Although your Garden Spinner is constructed with UV resistant SolarMax™ fabric, to preserve its durability, we recommend taking spinner inside during harsh weather or when not in use.



Step 3

Attach Wing Fins to Wing Hub. **Please note that Wing Fins are inserted at an offset pattern.** Make sure Wing Fins are fully inserted into hub holes. You will hear a "click" sound when the pins are all the way in. (diagram C)

PLEASE NOTE: If you make a mistake in the placement of the Wing Fins (i.e. backward, wrong color sequence etc.), you can remove them by carefully inserting a small flat end screwdriver between the base of the Wing Fin Pin and the hub and pushing it up and out.

