

### Step 1

Open Velcro straps and insert Rear Strut Assembly into bottom of Fish Sleeve. Be sure to connect the two Internal Support Rods into the Ferrule Connector. Reclose Velcro straps. The completed Strut Assembly should look like diagram A.

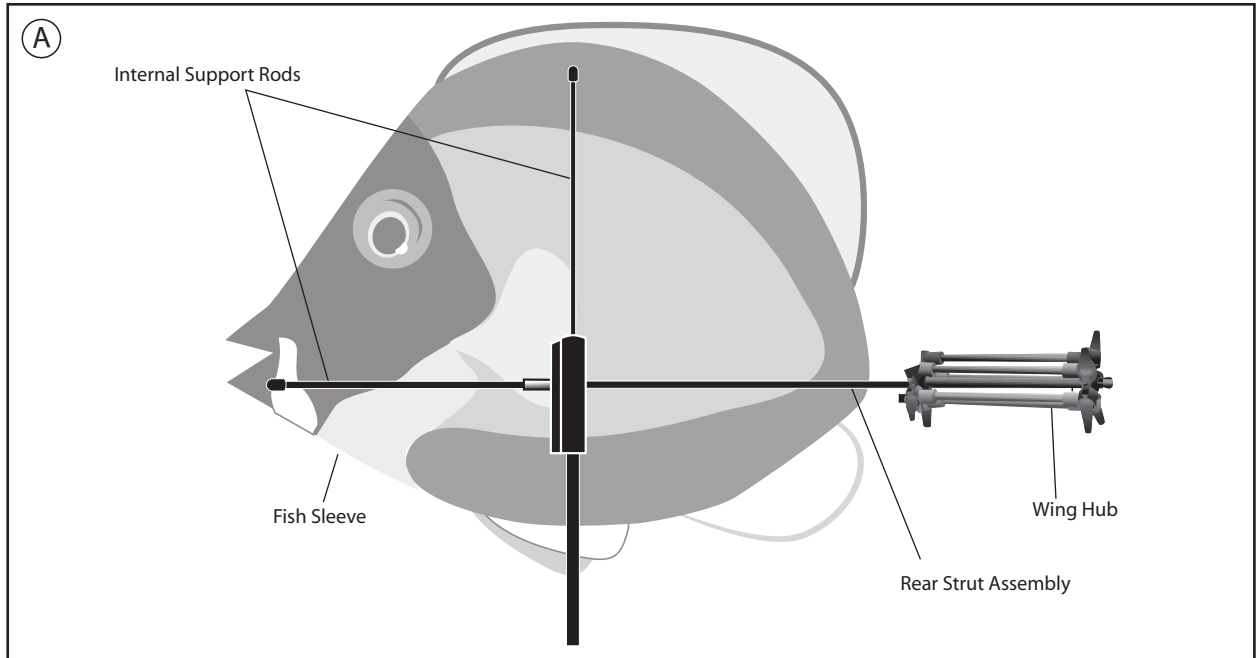
### Step 2

Attach Wing Fins to Wing Hub. **Please note that Wing Fins are inserted at an offset pattern.** Make sure Wing Fins are fully inserted into hub holes. You will hear a "click" sound when the pins are all the way in. (diagram B)

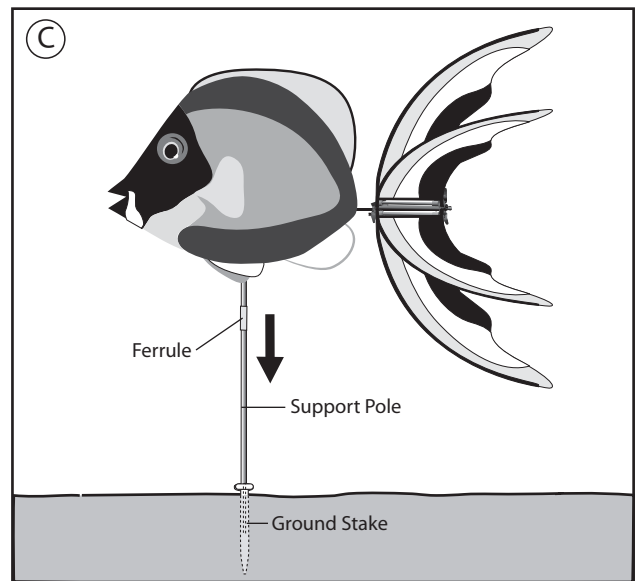
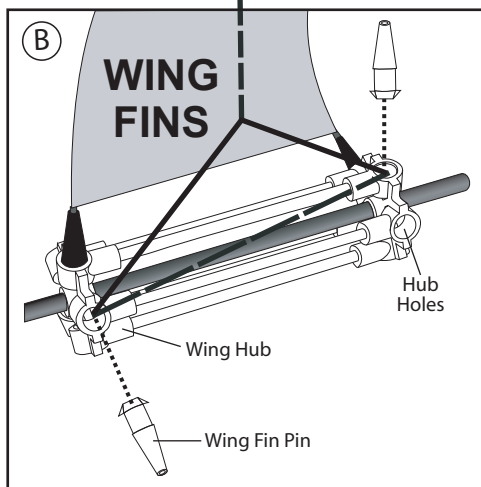
**PLEASE NOTE: If you make a mistake in the placement of the Wing Fins (i.e. backward, wrong color sequence etc.), you can remove them by carefully inserting a small flat end screwdriver between the base of the Wing Fin Pin and the hub and pushing it up and out.**

### Step 3

Drive Ground Stake into ground. Slide Ground Shaft into Ground Stake. Slide Main Hub Assembly with Garden Spinner over Ground Shaft Ferrule. (diagram C)



**PLEASE NOTE THAT WING FINNS ARE INSERTED AT AN OFFSET PATTERN**



**PLEASE NOTE: Although your Garden Spinner is constructed with UV resistant SolarMax™ fabric, it is recommended that you take it inside during storms and harsh weather to preserve its durability.**