

Step 1:

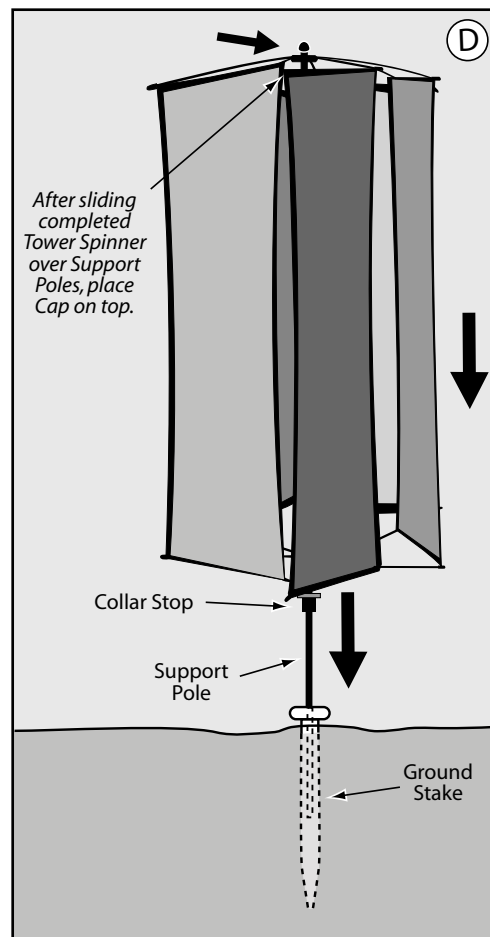
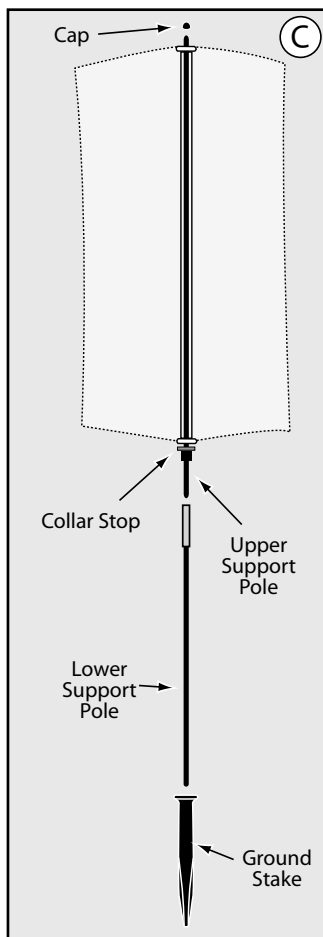
Insert Center Support Tube (the thickest of the three included poles) into Ring Connector on inner side of one of the Spinner Hubs. (diagram A)

Step 2:

Pull other Spinner Hub over other end of Center Support Tube and fit Center Support Tube into Ring Connector. *Note: Sails must be pulled very taut in order to stretch Spinner Hub over Center Support Tube. See diagram B.*

Step 3:

Pound Ground Stake into ground and insert Lower Support Pole into Ground Stake. Assemble completed Tower Spinner and Support Poles as shown in diagram C. Note that you will need to slide the Upper Support Pole into the bottom of completed Tower Spinner and all the way through Center Support Tube before attaching Upper and Lower Support Poles. (diagram C) After completing Tower Spinner, place Cap on top of Upper Support Pole. (diagram D)



CAUTION: To prolong life of Tower Spinner, never leave out in storms, bad weather, or in winds of over 20mph.