

# Duck with Umbrella Spinner *assembly instructions*

sku #25643 & 25644

## Step 1

Remove gore panels from package and unfold. Make sure that the lower edge binding tape is not twisted or bunched. (Diagram A)

## Step 2

Slide the Main Rotating Hub Assembly through the center of the ring of gore panels with the support struts all facing up and curved in the same direction. (Diagram B)

## Step 3

Insert the gore struts into the strut holes on the top disc of the Main Rotating Hub Assembly. (Diagram C)

## Step 4

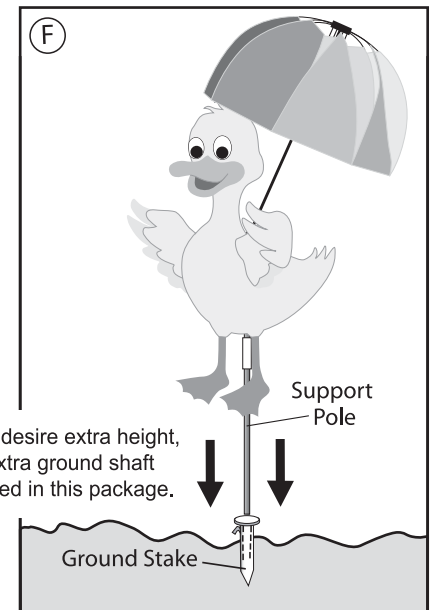
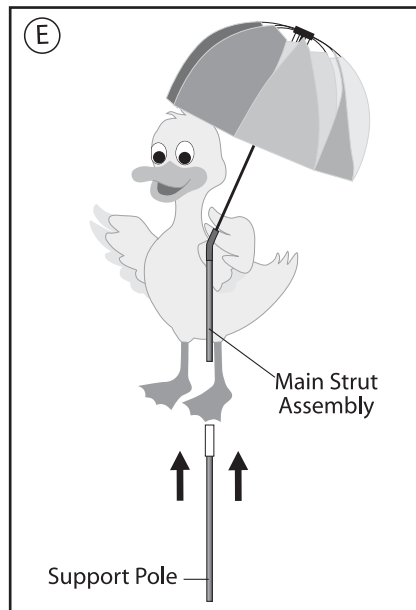
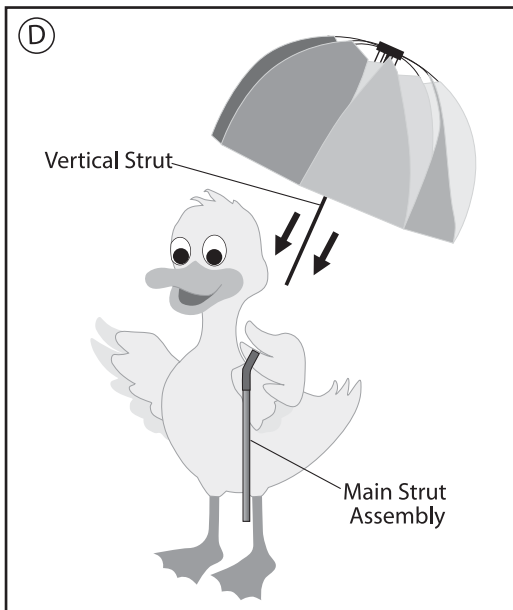
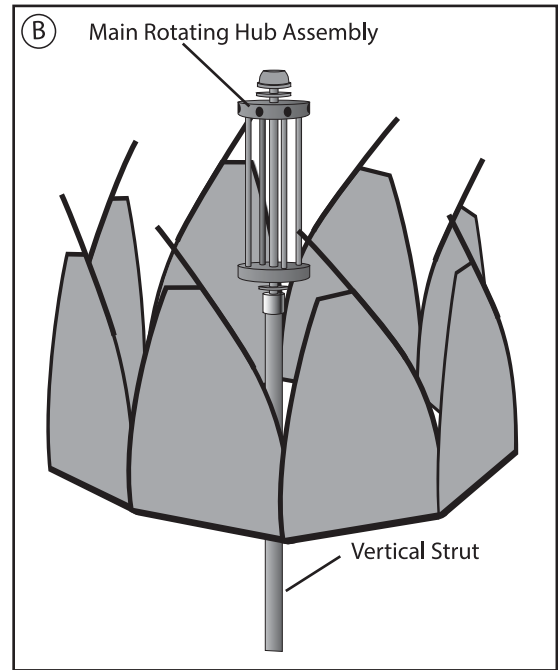
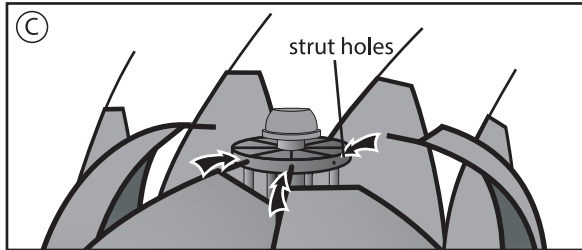
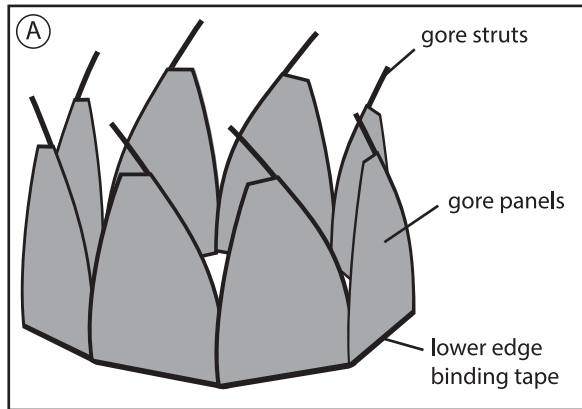
Insert the Vertical Strut into the Main Strut Assembly inside the figure. (Diagram D)

## Step 5

Insert the Support Pole into the Main Strut Assembly. (Diagram E)

## Step 6

Drive Ground Stake into ground. Slide Support Pole into Ground Stake. If you desire extra height, add the extra ground shaft included in this package. (Diagram F)



**PLEASE NOTE:** Although your Garden Spinner is constructed with UV resistant SunTex™ fabric, it is recommended that you take it inside during storms and harsh weather to preserve its durability.