

Step 1

Remove your Camper Spinner from the package and unfold the fabric Body. Open the Velcro seam along the bottom of the Spinner and slide the narrow, plastic tipped end of the Support Pole into Star Lock Hub. Push down on the hub until The Support Pole locks into place and can not be removed. Close Velcro Seam. Completed internal Strut Assembly should match Diagram A.

Step 2

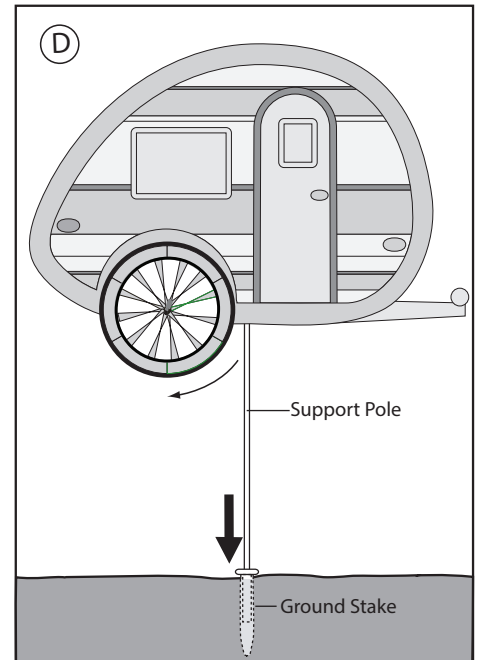
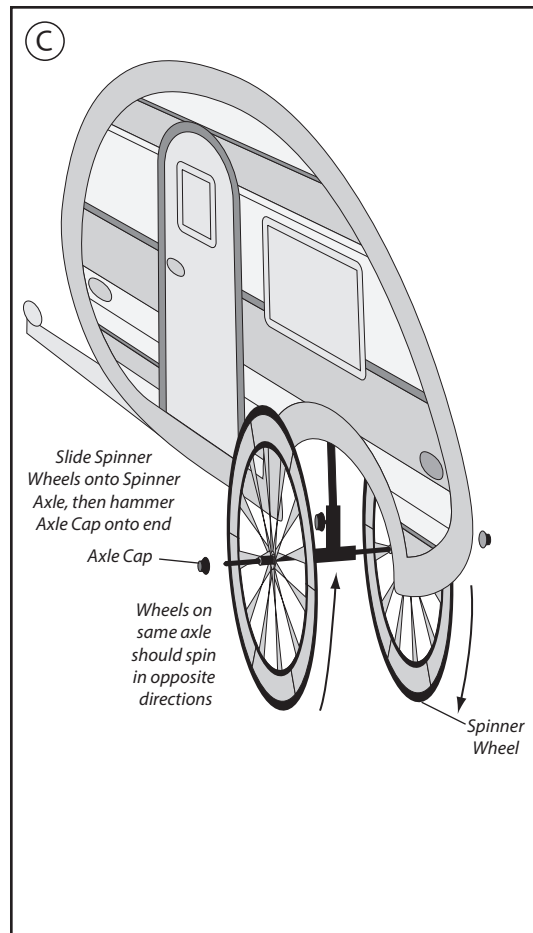
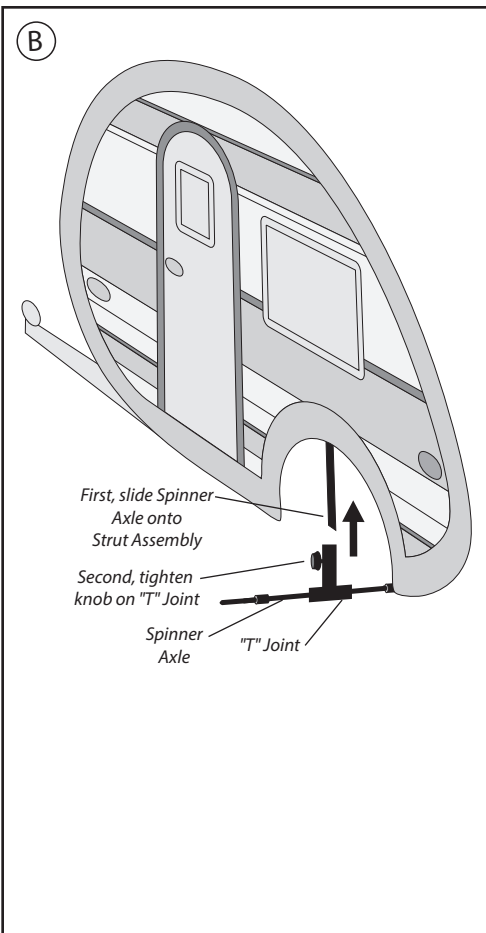
Slide the Spinner Axles onto the Wheel Strut Assemblies. Tighten knobs on the "T" Joints to hold the Axles to the Struts. (Diagram B)

Step 3

Take one of the two Spinner Wheels and slide it onto one the Spinner Axle. Slide second Spinner Wheel onto Spinner Axle. (Note: Spinner Wheels on same axle should spin in opposite directions. Before putting second Axle Cap into place, make sure wheels spin as shown in diagrams C and D.) Pound Axle Caps onto uncapped ends of Spinner Axle using a mallet or piece of wood. (Diagram C)

Step 5

Drive Ground Stake into ground. Slide assembled Car Spinner into Ground Stake. (Diagram D)



PLEASE NOTE: It is recommended that you take your Car Spinner inside during storms and harsh weather to preserve its durability.