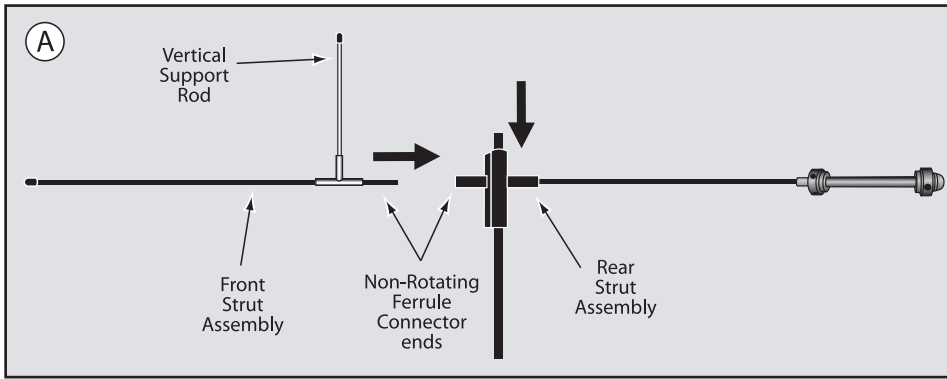


Speed Boat Spinner *assembly instructions*



Step 1

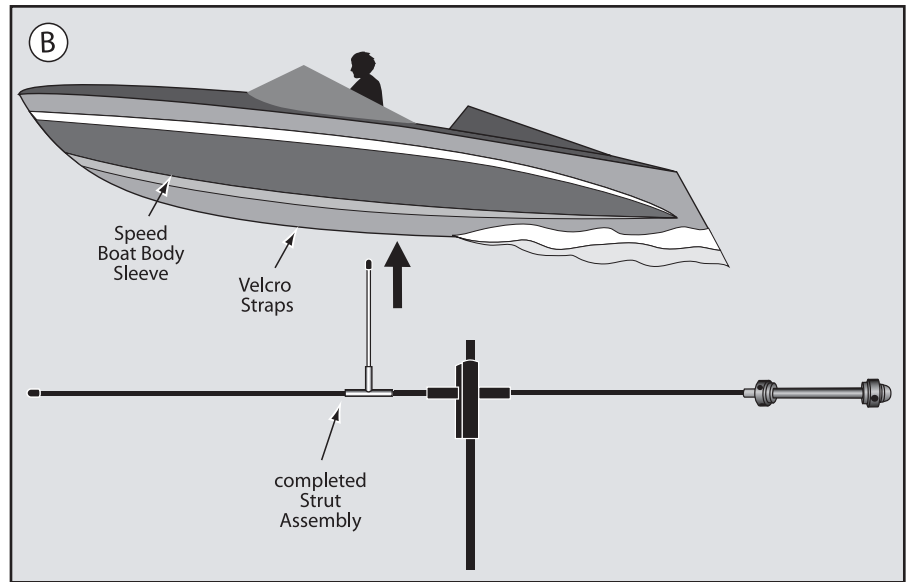
The Strut Assembly of your Speed Boat Spinner is shipped in two sections. Connect Center Rod of Rear Strut Assembly to Center Rod of Front Strut Assembly by joining ends of Non-Rotating Ferrule Connector as shown. (diagram A)

Step 2

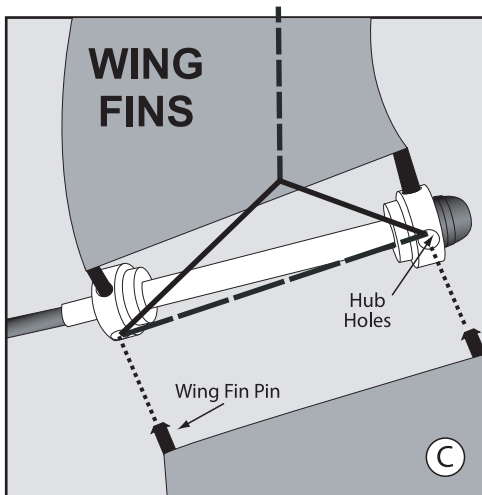
Open velcro straps and insert completed Strut Assembly into bottom of Speed Boat Body Sleeve as shown. Reclose velcro straps. (diagram B)

Step 3

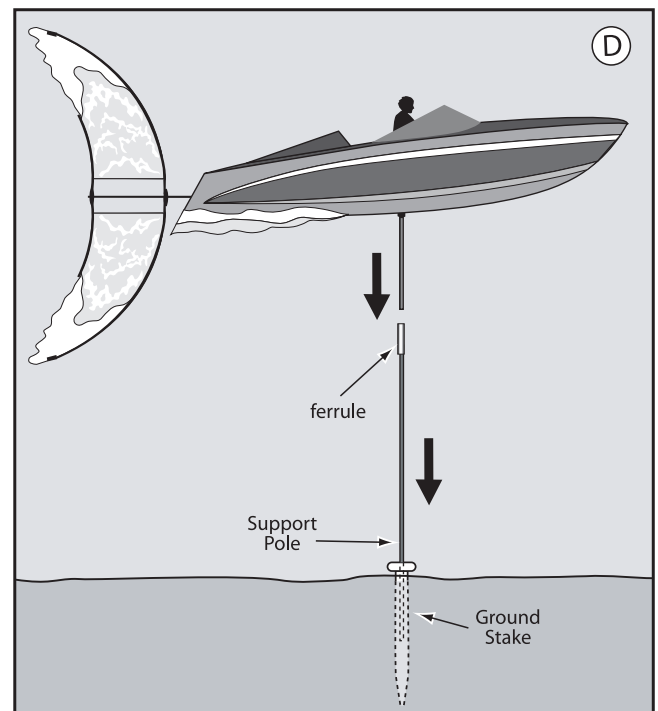
Attach Wing Fins to Wing Hub. **Please note that Wing Fins are inserted at an offset pattern.** Make sure Wing Fins are fully inserted into hub holes. You will hear a "click" sound when the pins are all the way in. (diagram C)



PLEASE NOTE THAT WING FINS ARE INSERTED AT AN OFFSET PATTERN



Step 4
Pound Ground Stake into ground and insert non-ferruled end of Support Pole into Ground Stake. Insert Upper Pole Section of completed Speed Boat Spinner into ferrule on top of Support Pole. (diagram D)



PLEASE NOTE: Although your Speed Boat Spinner is constructed with UV resistant SunTex™ fabric, it is recommended that you take it inside during storms and harsh weather.