

Step 1

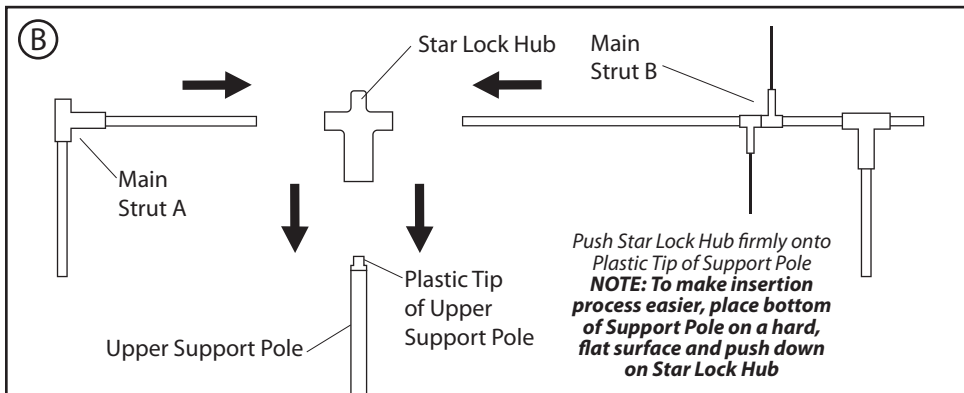
Remove Your Empty Red Golf Cart Spinner from the package. Open the Velcro Seam along the bottom of the Golf Cart.

Step 2

Slide Rod 1 and 2 through the opened Velcro Seam into the corresponding Sleeve 1 and 2 as shown in Diagram A. Push Rod 1 so that it securely fits into the Hub 1 at the top left of the frame structure as shown in Diagram A.

Step 3

Identify and align Main Strut A, Star Lock Hub, and Main Strut B according to Diagram B. Insert the Main Strut A rod into the Star Lock Hub horizontal fitting securely. Insert the Main Strut B rod into the Star Lock Hub horizontal fitting securely.



Step 4

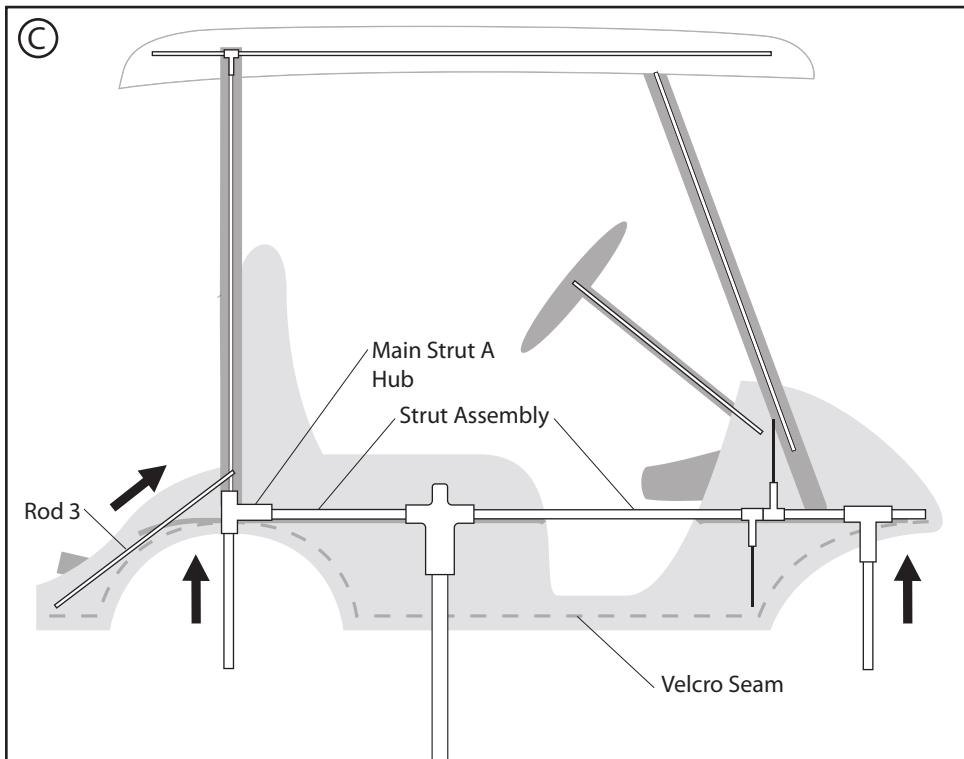
Slide the narrow plastic tipped end of the Upper Support Pole into the Star Lock Hub. Push down on the hub until The Support Pole locks into place and cannot be removed.

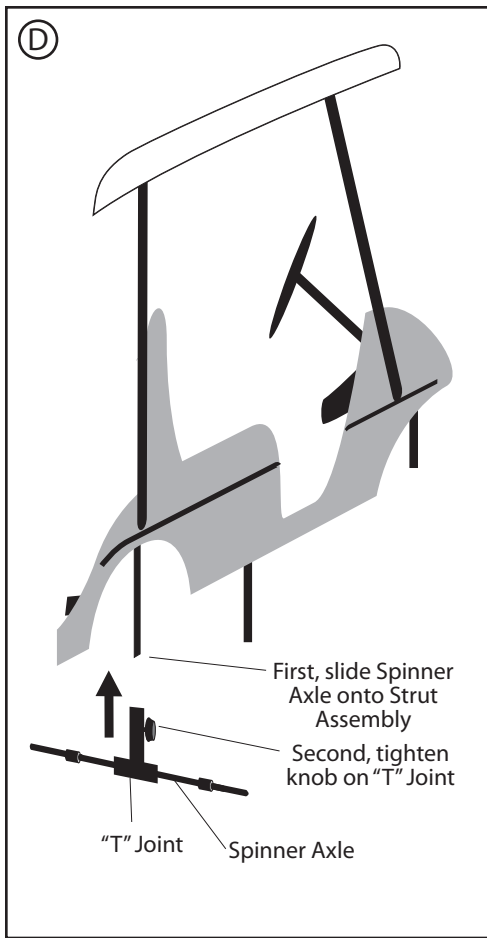
Step 5

Position the Strut Assembly in between the pieces of fabric and insert Rod 1 into the Hub of Main Strut A as shown in Diagram C.

Step 6

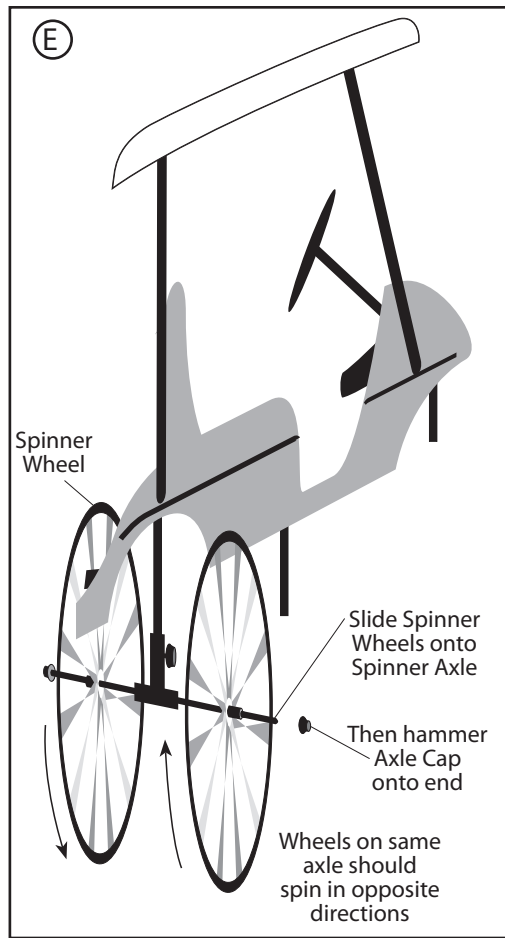
Insert Rod 3 in between the pieces of fabric so that it is positioned at an angle from the bottom corner below the black bumper to just above the Main Strut A Hub. Close Velcro Seam. Completed internal Strut Assembly should match Diagram C.





Step 7

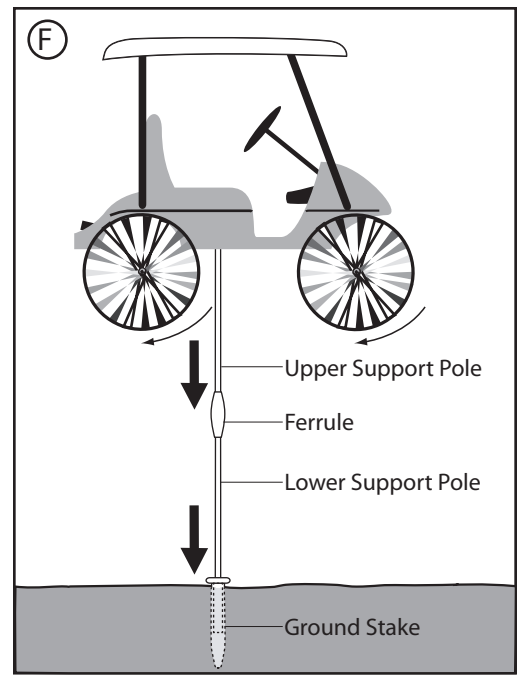
Slide the Spinner Axles onto the Wheel Strut Assemblies. Tighten Knobs on the "T" Joints to hold the axles to the Struts. (Diagram D)



Step 8

Take one of the four Spinner Wheels and slide it on to one of the two Spinner Axles. Slide second Spinner Wheel onto Spinner Axle. (Note: Spinner Wheels on same side of the Golf cart should spin in same direction and Spinner Wheels on same axle should spin in opposite directions. Before putting second Axle Cap into place make sure wheels spin as shown in diagrams E and F.) Pound second Axle Cap onto uncapped end of Spinner Axle using a mallet or piece of wood. (Diagram E)

PLEASE NOTE: It is recommended that you take your Golf Cart Spinner inside during storms and harsh weather to preserve its durability.



Step 9

Drive Ground Stake into ground and insert the non-ferruled end of the Lower Support Pole into the Ground Stake. Insert Upper Pole of assembled Spinner into the ferrule. (Diagram F)