

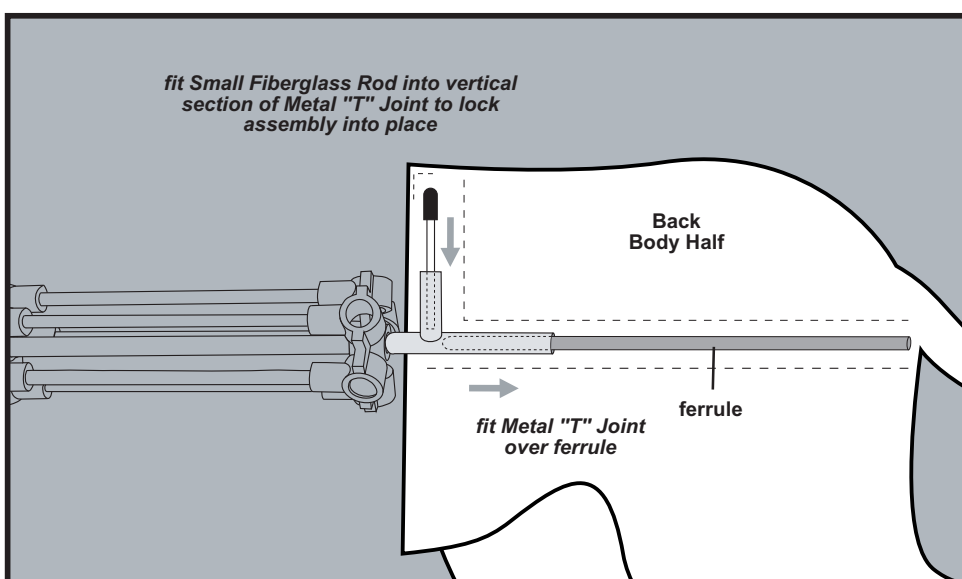
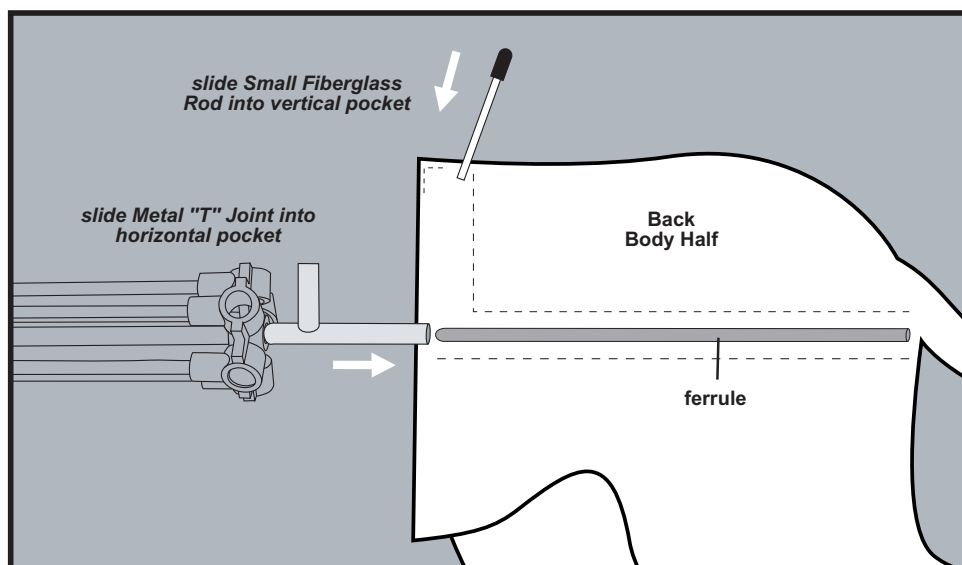
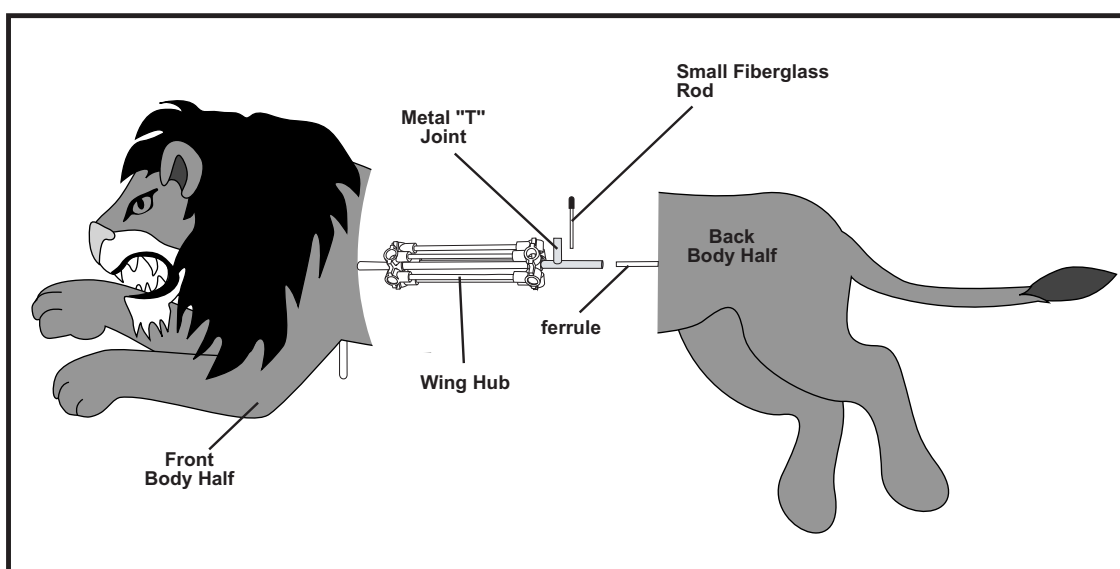
FLYING LION ASSEMBLY INSTRUCTIONS

1. Start by removing Small Fiberglass Rod taped to vertical part of Metal "T" Joint at back end of Wing Hub. Slide Metal "T" Joint into horizontal pocket on Back Body Half so that small ferrule located inside pocket fits into horizontal part of Metal "T" Joint.
2. Slide Small Fiberglass Rod into opening of vertical pocket in Back Body Half, just above Metal "T" Joint. Fit uncapped end into vertical section of Metal "T" Joint and capped end into top of pocket.
3. Attach Wing Fins to Wing Hub. **Please note that Wing Fins are inserted at an offset pattern.** Make sure Wing Fins are fully inserted into hub holes. You will hear a "click" sound when the pins are all the way in.

PLEASE NOTE: If you make a mistake in the placement of the Wing Fins (i.e. backward, wrong color sequence etc.), you can remove them by carefully inserting a small flat end screwdriver between the base of the Wing Fin Pin and the hub and pushing it up and out.

4. Drive Ground Stake into ground. Slide Ground Shaft into Ground Stake. Slide Main Hub Assembly with Flying Lion over Ground Shaft Ferrule. If you desire extra height, add extra ground shaft included in this package.

PLEASE NOTE: Although your Garden Spinner is constructed with UV resistant SolarMax fabric, to preserve its durability, we recommend taking spinner inside during harsh weather or when not in use.



PLEASE NOTE THAT WING FINNS ARE INSERTED AT AN OFFSET PATTERN

