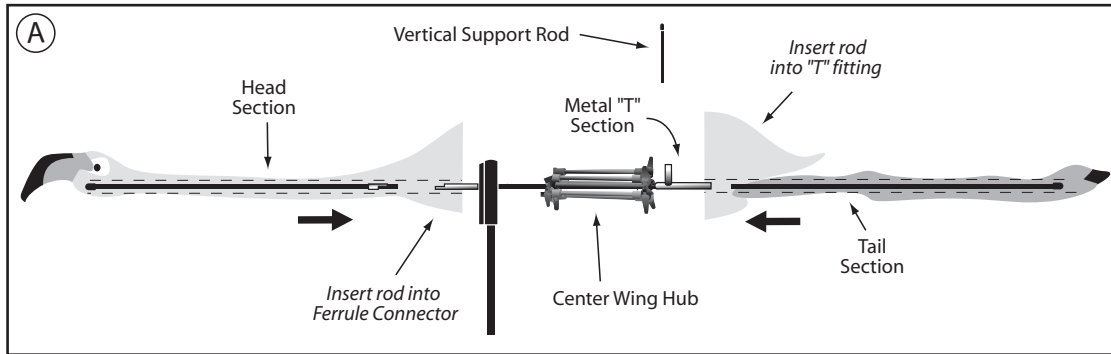
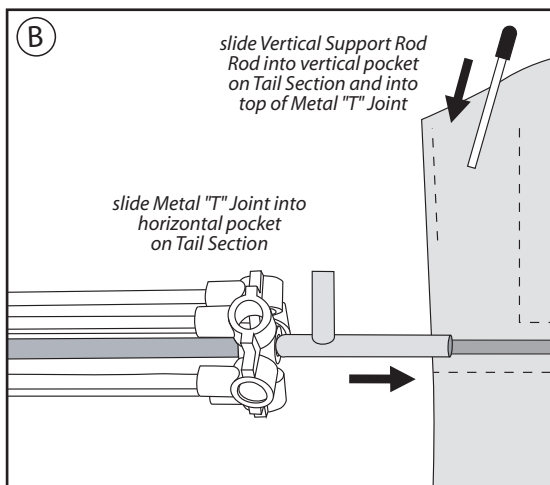


Flying Flamingo Spinner



Step 1

The Strut Assembly of your Flying Flamingo Spinner is shipped in three sections. Connect rod of Head Section to Wing Hub Assembly by joining ends of Ferrule Connectors at front (end opposite Metal "T" Joint). Connect rod of Tail Section to Wing Hub Assembly by joining ends of Ferrule Connectors at back (end with Metal "T" Section). (diagram A)



Step 2

Slide Vertical Support Rod into opening of vertical pocket in Tail Section, just above Metal "T" Joint. Fit uncapped end into vertical section of Metal "T" Joint and capped end into top of pocket. (diagram B)

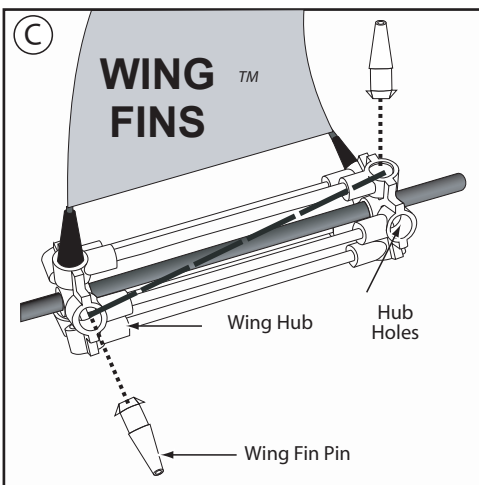
Step 3

Attach Wing Fins to Wing Hub. **Please note that Wing Fins are inserted at an offset pattern.** Make sure Wing Fins are fully inserted into hub holes. You will hear a "click" sound when the pins are all the way in. (diagram C)

PLEASE NOTE: If you make a mistake in the placement of the Wing Fins (i.e. backward, wrong color sequence etc.), you can remove them by carefully inserting a small flat end screwdriver between the base of the Wing Fin Pin and the hub and pushing it up and out.

Step 4

Drive Ground Stake into ground. Slide Ground Shaft into Ground Stake. Slide Main Hub Assembly with Garden Spinner over Ground Shaft Ferrule. If you desire extra height, add extra ground shaft included in this package. (diagram D)



PLEASE NOTE: Although your Garden Spinner is constructed with UV resistant SolarMax fabric, to preserve its durability, we recommend taking spinner inside during harsh weather or when not in use.

