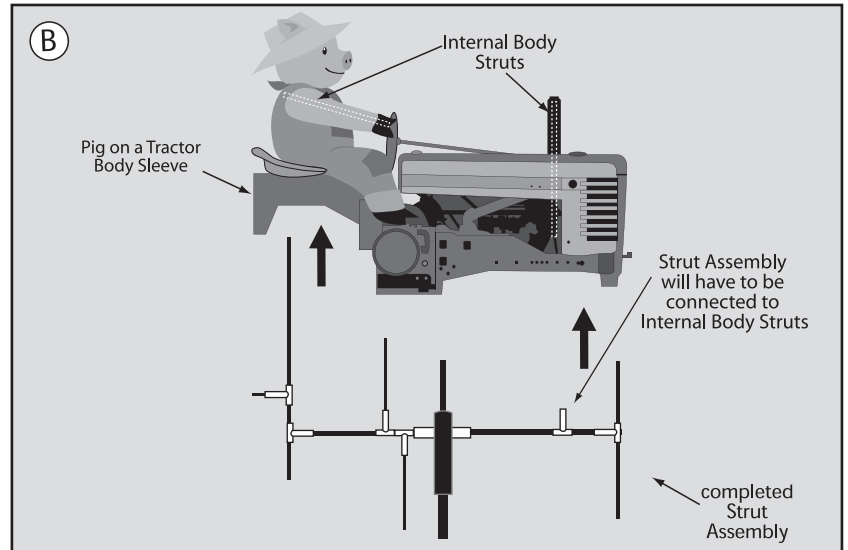
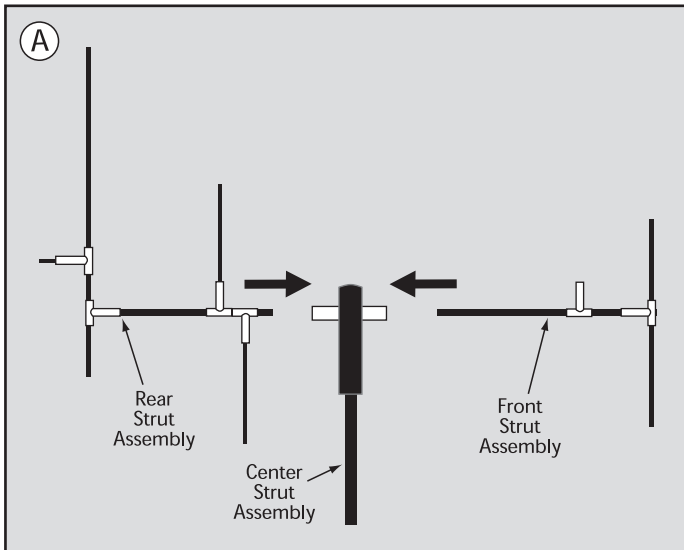
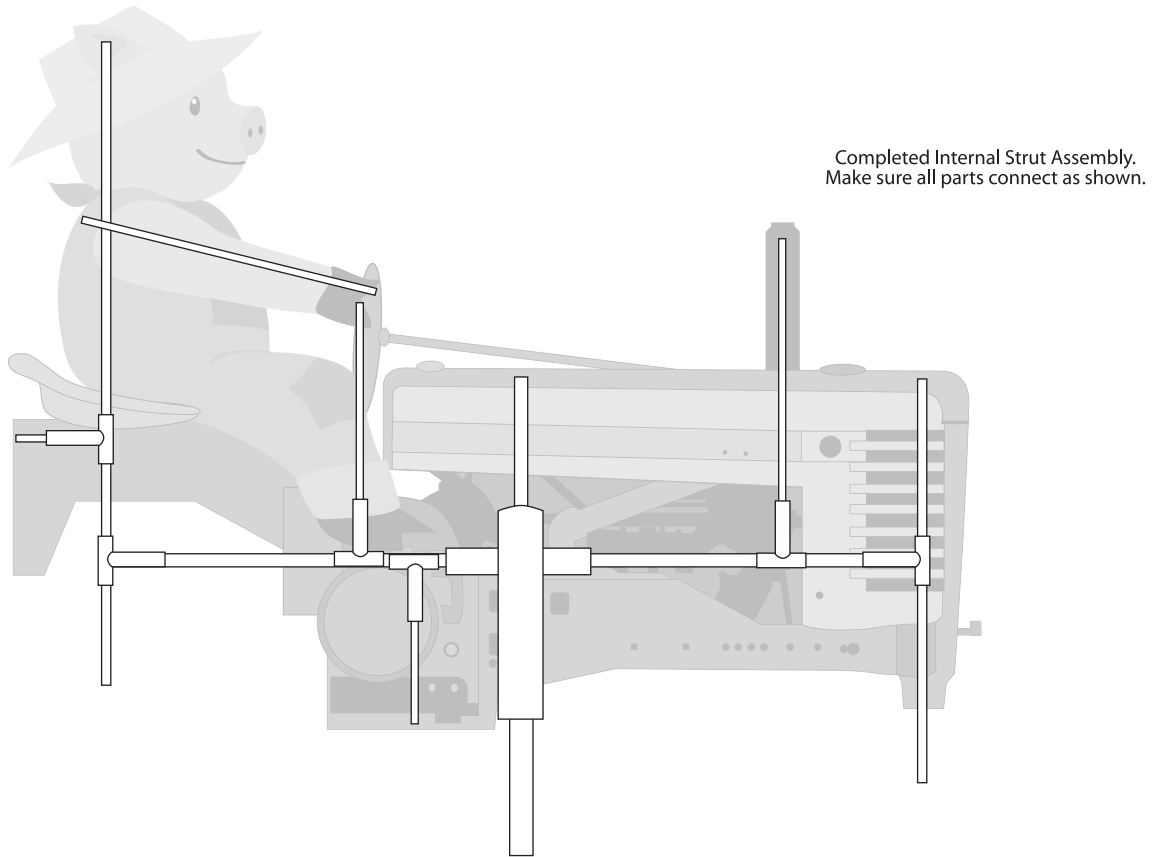


Pig on a Tractor

assembly instructions

sku #25936

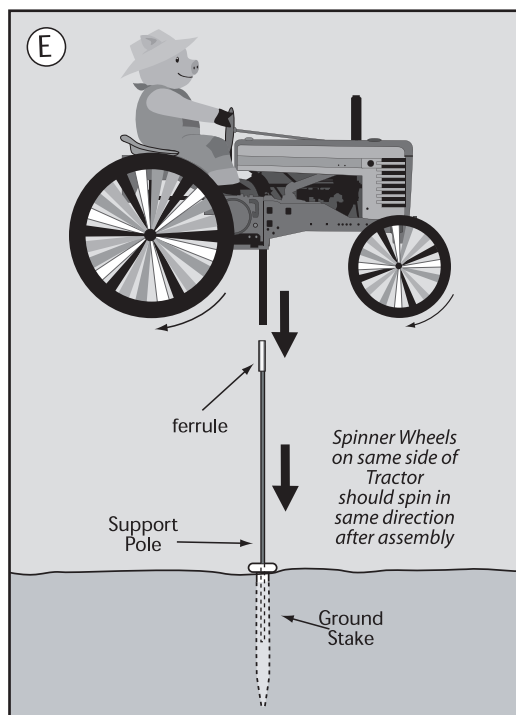
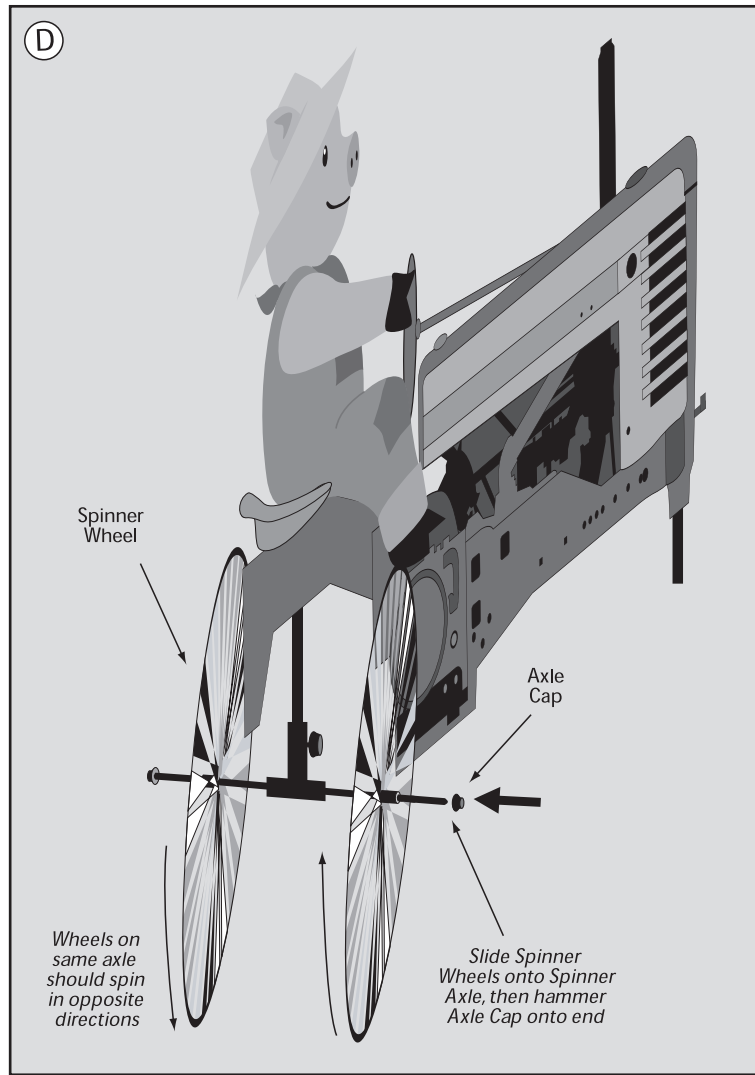
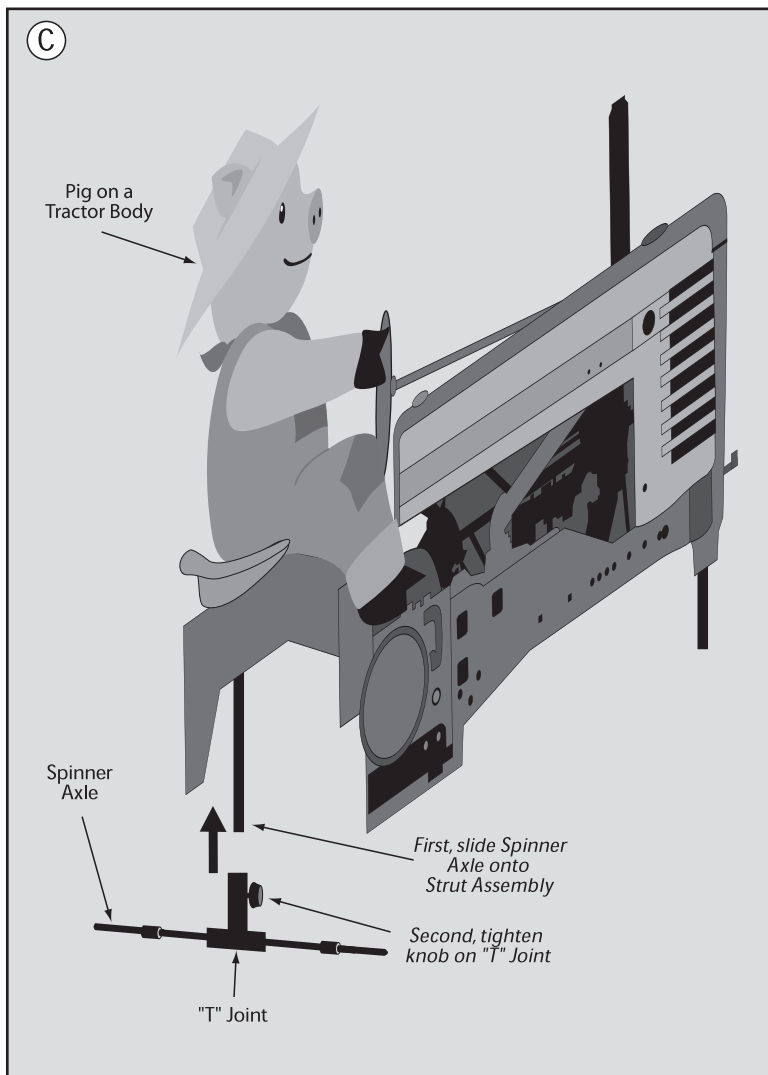


Step 1

The Strut Assembly of your Pig on a Tractor spinner is shipped in three sections. Connect Center Rods of the Rear Strut Assembly and the Front Strut Assembly to the Center Rod of the Center Strut Assembly as shown. (diagram A)

Step 2

Open Velcro straps and insert completed Strut Assembly into bottom of Tractor Body Sleeve as shown. Make sure all internal struts connect to the Strut Assembly. Reclose Velcro straps. (diagram B)



Step 3

Take one of the Spinner Axles and slide it onto the Rear Strut Assembly at back of Pig on a Tractor Body. Tighten the knob on the "T" Joint to hold the Axles to the Struts. (diagram C)

Step 4

Take one of the four Spinner Wheels and slide it onto one of the two Spinner Axles. Slide second Spinner Wheel onto Spinner Axle. **(Note: Spinner Wheels on same side of Tractor should spin in same direction and Spinner Wheels on same axle should spin in opposite directions. Before putting second Axle Cap into place, make sure wheels spin as shown in diagrams D and E.)** Pound second Axle Cap onto uncapped end of Spinner Axle using a mallet or piece of wood. (diagram D)

Step 5

Repeat Step 4 using second Spinner Axle and the two remaining Spinner Wheels to assemble the front Spinner.

Step 6

Pound Ground Stake into ground and insert non-ferruled end of Support Pole into Ground Stake. Insert Upper Pole Section of completed Pig on a Tractor Spinner into ferrule on top of Support Pole. (diagram E)

PLEASE NOTE: Although your Pig on a Tractor Spinner is constructed with UV resistant SunTex™ fabric, it is recommended that you take it inside during storms and harsh weather to preserve its durability.