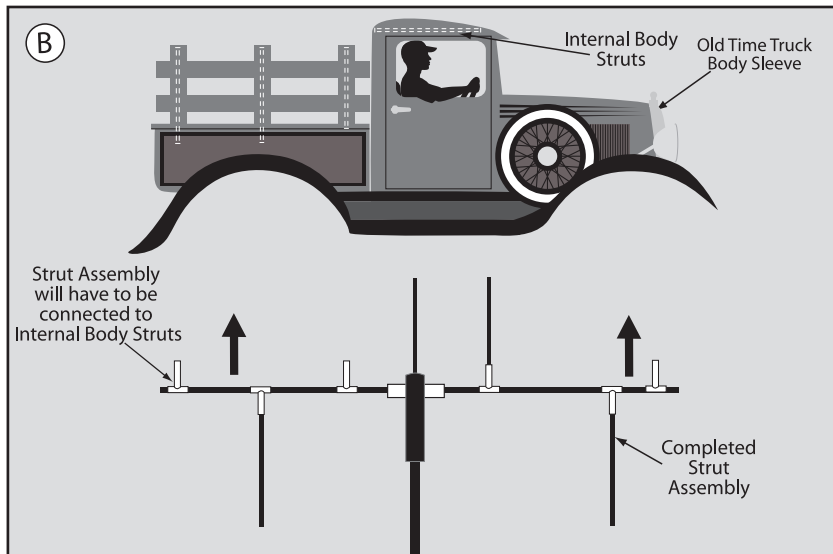
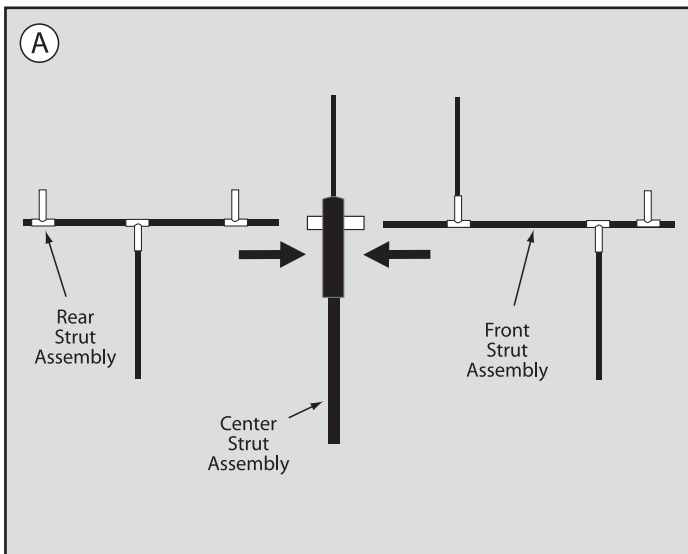
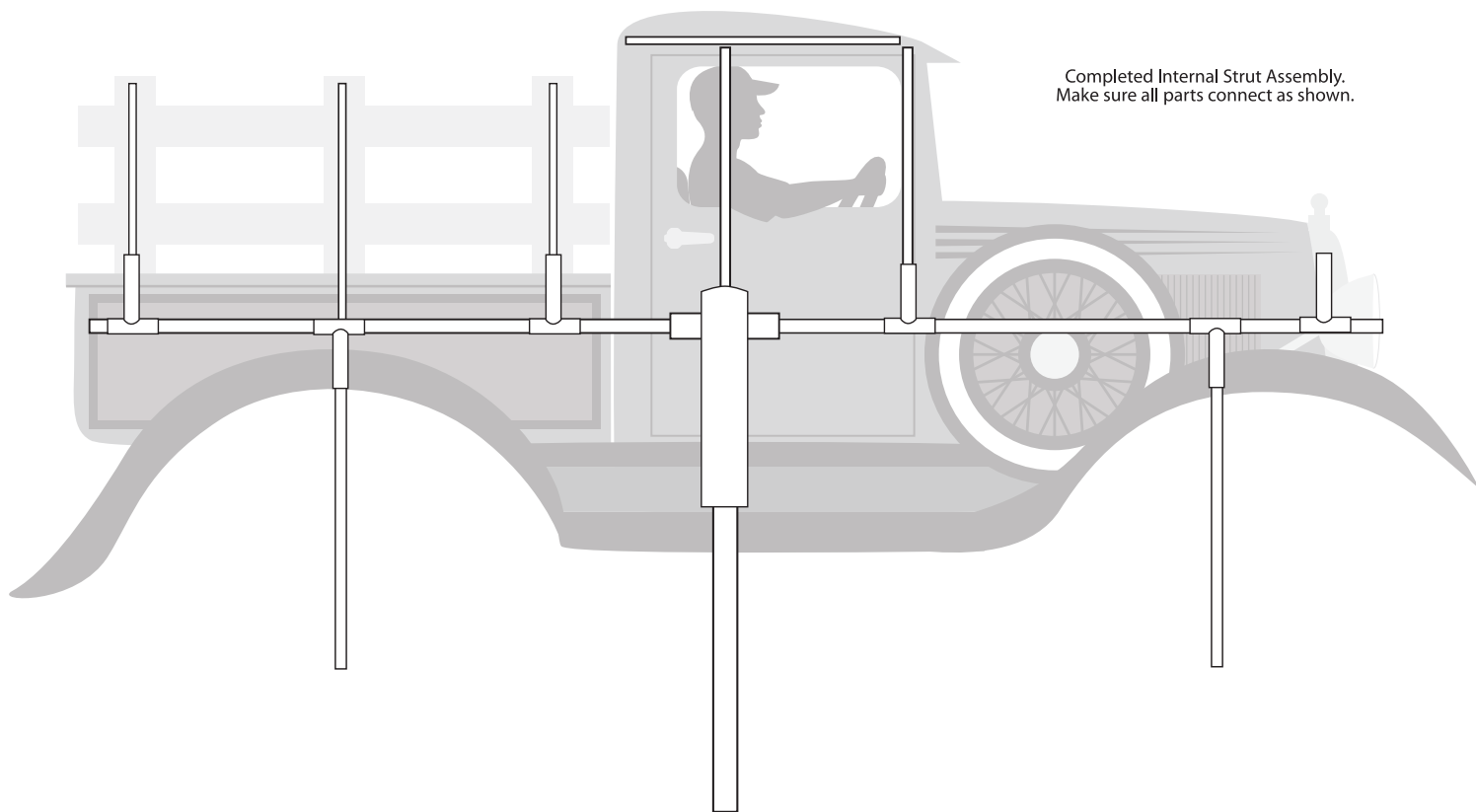


Old Time Truck *assembly instructions*

sku #25976

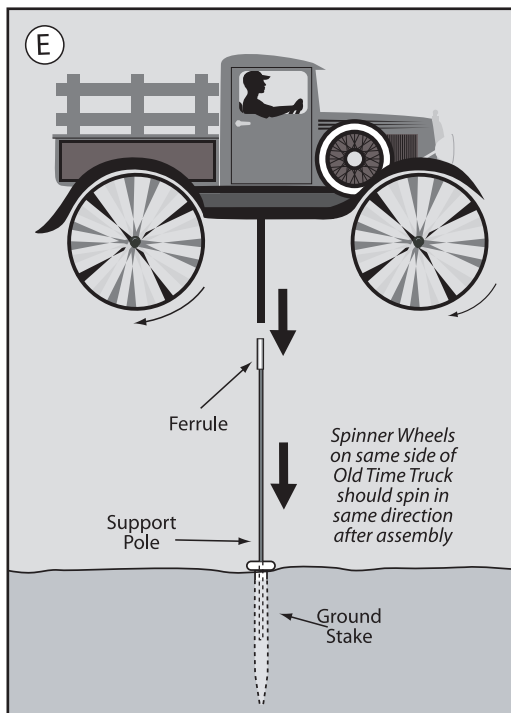
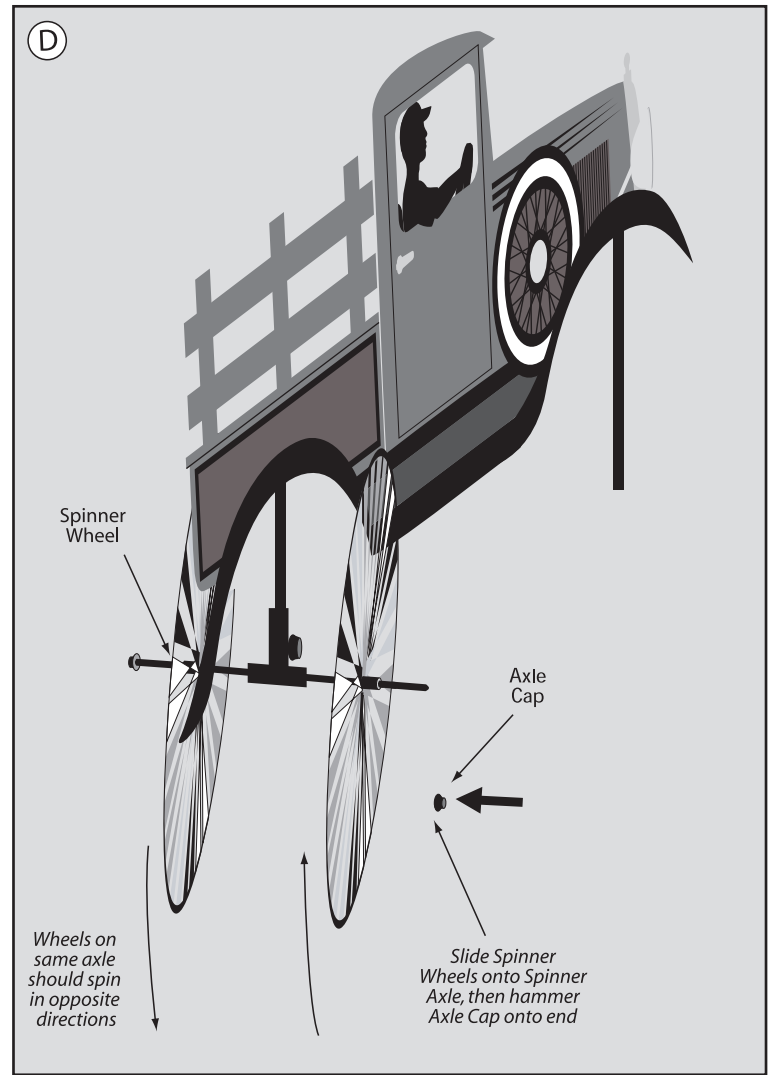
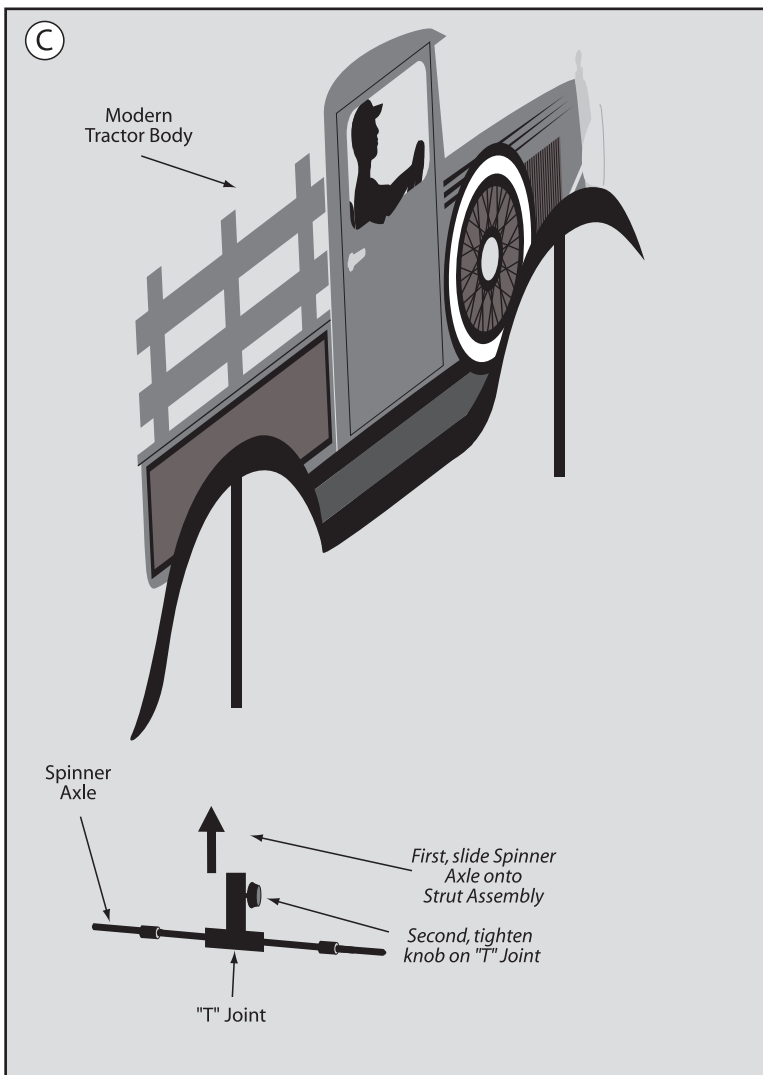


Step 1

The Strut Assembly of your Old Time Truck spinner is shipped in three sections. Connect Center Rods of the Rear Strut Assembly and the Front Strut Assembly to the Center Rod of the Center Strut Assembly as shown. (diagram A)

Step 2

Open Velcro straps and insert completed Strut Assembly into bottom of Old Time Truck Body Sleeve as shown. Make sure all internal struts connect to the Strut Assembly. Re-close Velcro. (diagram B)



Step 3

Take one of the four Spinner Wheels and slide it onto one of the two Spinner Axles up to the Axle Cap. Then slide Spinner Axle into "T" joining at the back of the Old Time Truck Body. (diagram C)

Step 4

Slide second Spinner Wheel onto Spinner Axle up to "T" joint. (**Note: Spinner Wheels on same side of Old Time Truck should spin in the same direction and Spinner Wheels on the same axle should spin in opposite directions. Before putting second Axle Cap into place, make sure wheels spine as shown in diagram E.**) Pound second Axle Cap onto uncapped end of Spinner Axle using a mallet or piece of wood.

Step 5

Repeat Step 3 and 4 using second Spinner Axle and the two remaining Spinner Wheels to assemble front Spinner.

Step 6

Pound Ground Stake into ground and insert non-ferruled end of Support Pole into Ground Stake. Insert Upper Pole Section of completed Old Time Truck Spinner into ferrule on top of Support Pole. (diagram E)

PLEASE NOTE: Although your Old Time Truck Spinner is constructed with UV resistant SunTex™ fabric, it is recommended that you take it inside during storms and harsh weather to preserve its durability.