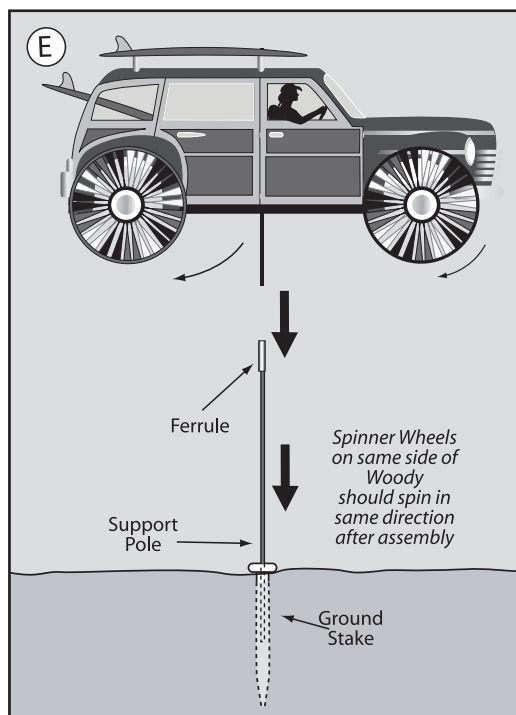
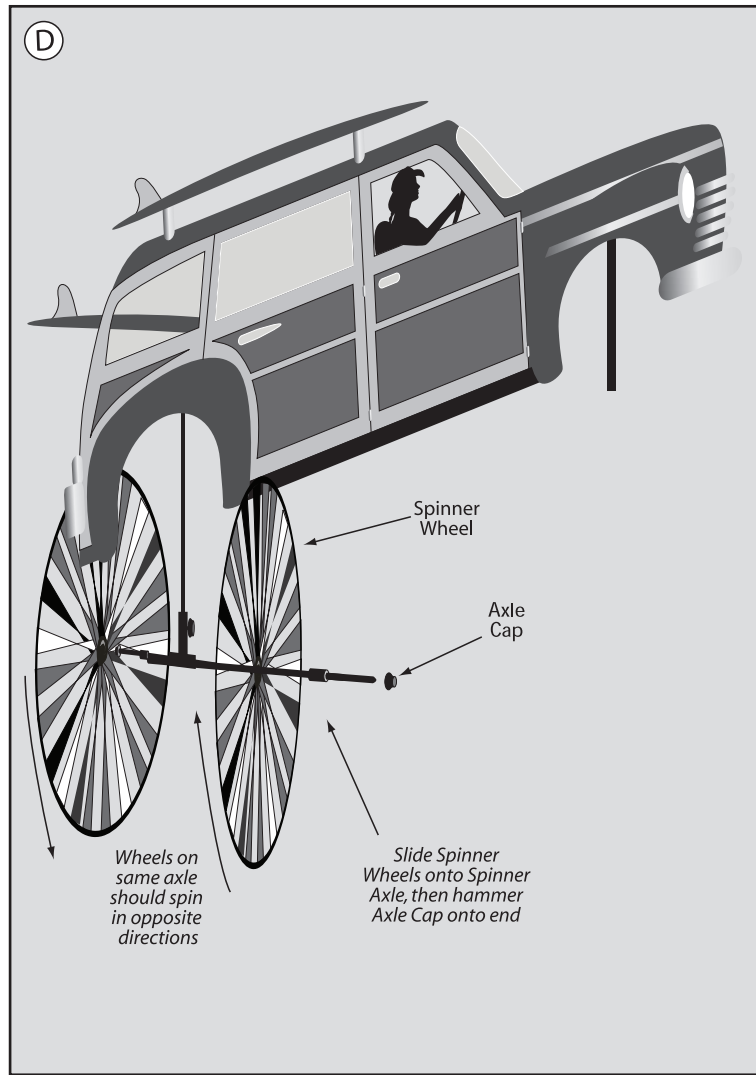
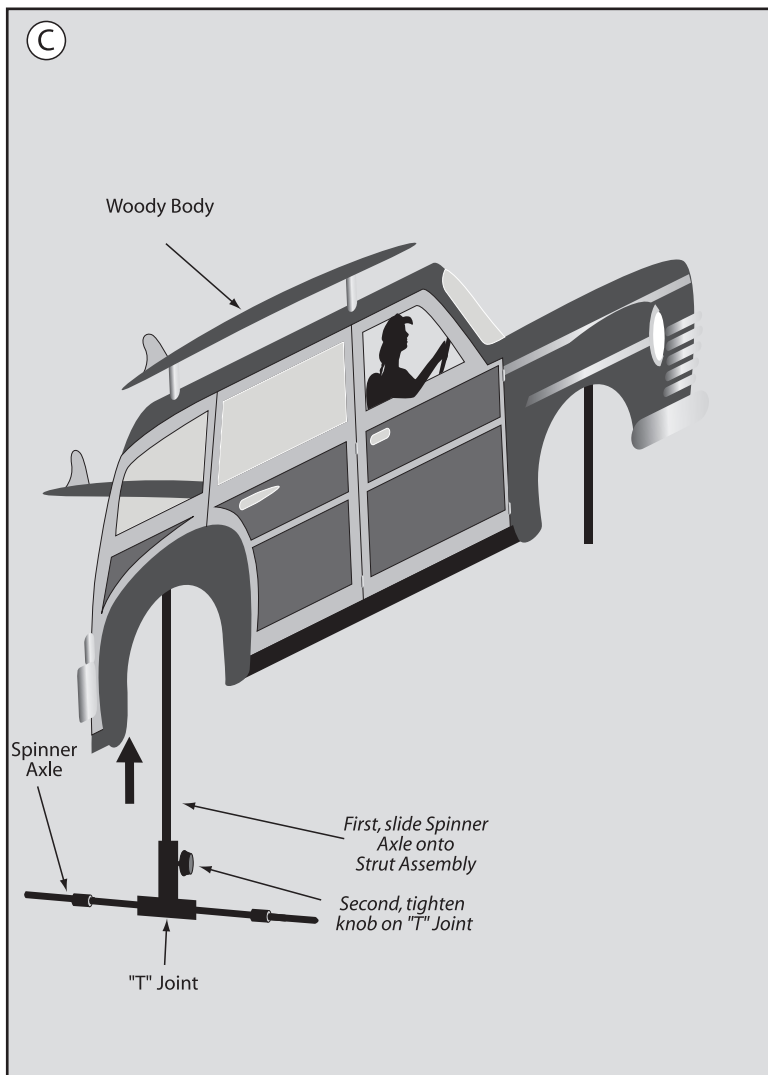


Step 1

The Strut Assembly of your Woody spinner is shipped in two sections. Connect Center Rods of the Rear Strut Assembly and the Front Strut Assembly to the Center Rod of the Center Strut Assembly as shown. (diagram A)

Step 2

Open Velcro straps and insert completed Strut Assembly into bottom of Woody Body Sleeve as shown. Re-close Velcro. (diagram B)



Step 3

Take one of the four Spinner Wheels and slide it onto one of the two Spinner Axles up to the Axle Cap. Then slide Spinner Axle onto "T" joint at the back of Woody Body.

Step 4

Slide second Spinner Wheel onto Spinner Axle up to "T" joint. **(Note: Spinner Wheels on same side of Woody should spin in opposite directions. Before putting second Axle Cap into place, make sure wheels spin as shown in diagram E.)** Pound second Axle Cap onto uncapped end of the Spinner axle using a mallet or piece of wood. (diagram D)

Step 5

Repeat Steps 3 and 4 using second Spinner Axle and the two remaining Spinner Wheels to assemble front Spinner.

Step 6

Pound Ground Stake into ground and insert non-ferruled end of Support Pole into Ground Stake. Insert Upper Pole Section of completed Woody Spinner into ferrule on top of Support Pole. (diagram E)

PLEASE NOTE: Although your Woody Spinner is constructed with UV resistant SunTex™ fabric, it is recommended that you take it inside during storms and harsh weather to preserve its durability.