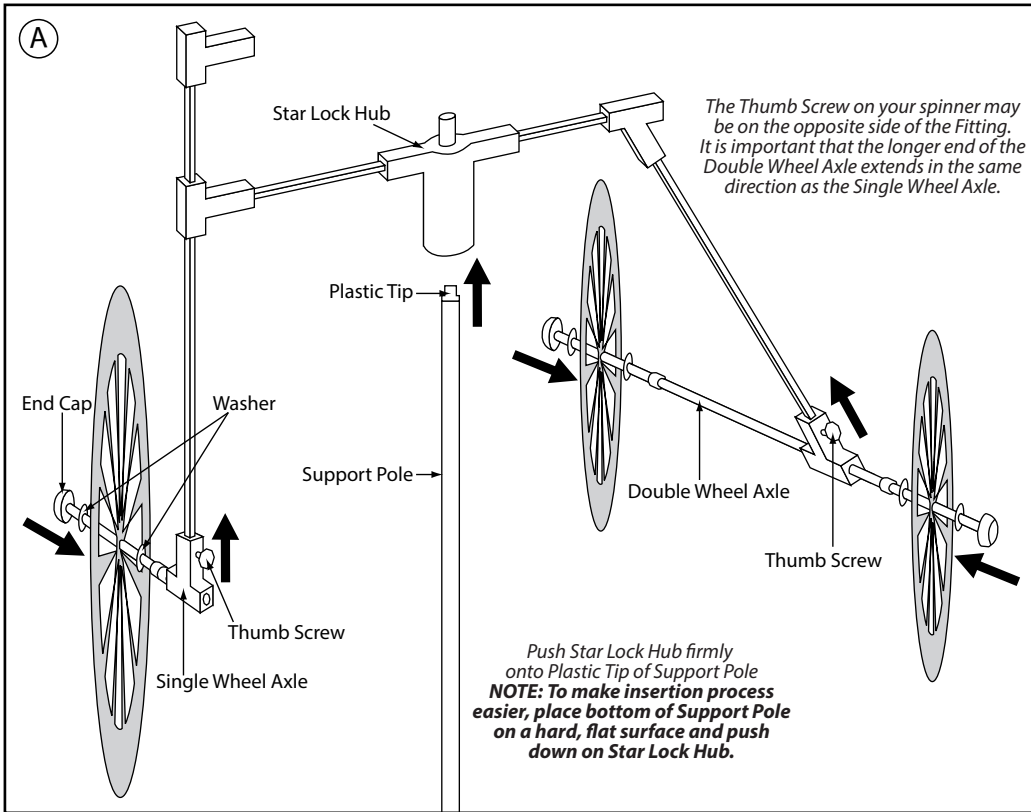


25" Tricycle Spinner *assembly instructions*

sku #26621, #26622, #26623, #26624



Step 1

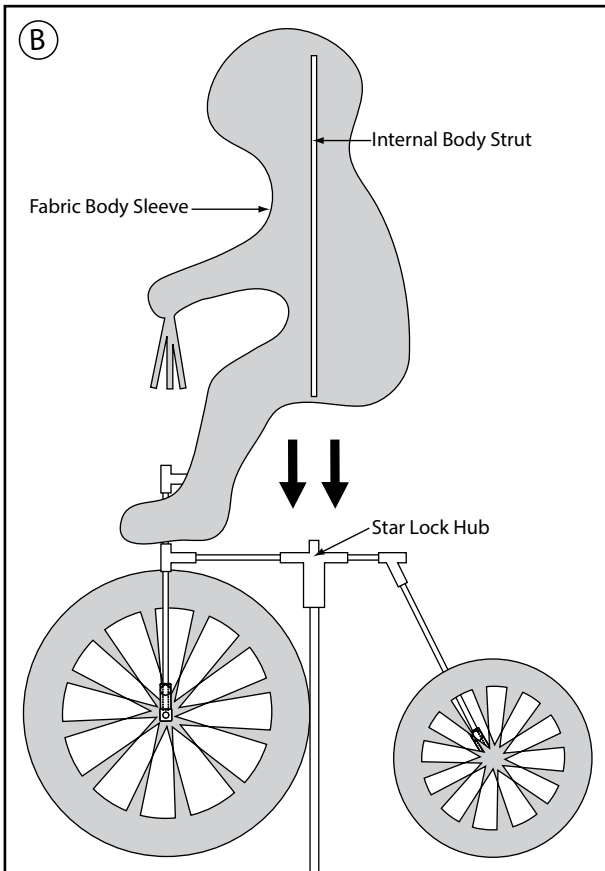
Slide the narrow, plastic tipped end of the Upper Support Pole into the Star Lock Hub. Push down on the hub until the Support Pole locks into place and can not be removed. (diagram A)

Step 2

Loosen the Thumb Screws on the Wheel Axle Fittings. Slide the Single Wheel Axle onto the Vertical Strut of the Tricycle Frame. Slide the Double Wheel Axle onto the Diagonal Strut of the Tricycle Frame. Tighten Thumbscrews. NOTE: It is important that the longer end of the Double Wheel Axle extends in the same direction as the Single Wheel Axle. This will make the Front Wheel centered between the two Back Wheels once assembly is complete. (diagram A)

Step 3

Complete the Front Wheel assembly on the Single Wheel Axle by sliding the parts on in the following order: Washer, Large Wheel, Washer, End Cap. You will need to tap the End Cap onto the Axle using a mallet or piece of wood. (diagram A)



Step 4

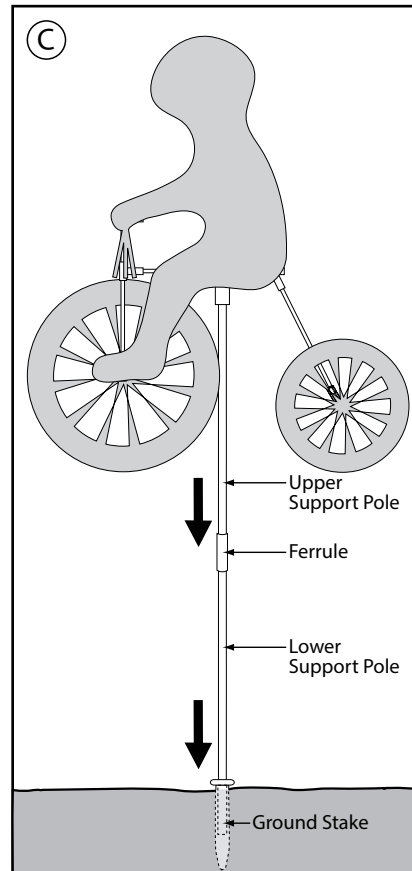
Complete the Rear Wheel assembly on the Double Wheel Axle by sliding the parts on both sides in the following order: Washer, Small Wheel, Washer, End Cap. (diagram A)

Step 5

Slide the Fabric Body Sleeve onto the Tricycle Frame and insert the Internal Body Strut into the top of the Star Lock Hub. Attach all Velcro Tabs inside the Body Sleeve to the tabs on the Tricycle Frame. (diagram B)

Step 6

Drive Ground Stake into ground and insert non-ferruled end of Support Pole into Ground Stake. Insert Upper Pole Section of completed Tricycle Spinner into ferrule on top of Support Pole. (diagram C)



PLEASE NOTE: Although your Tricycle Spinner is constructed with UV resistant SunTex™ fabric, it is recommended that you take it inside during storms and harsh weather to preserve its durability.