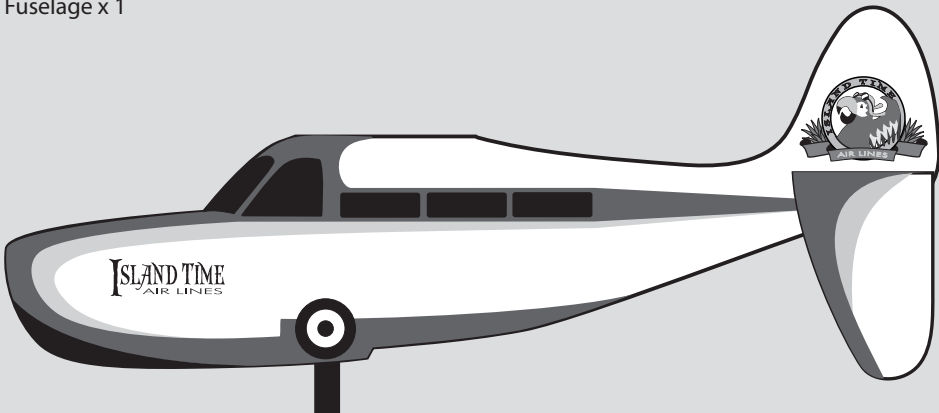
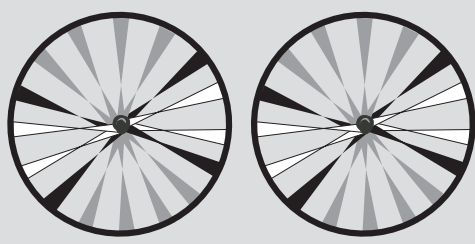
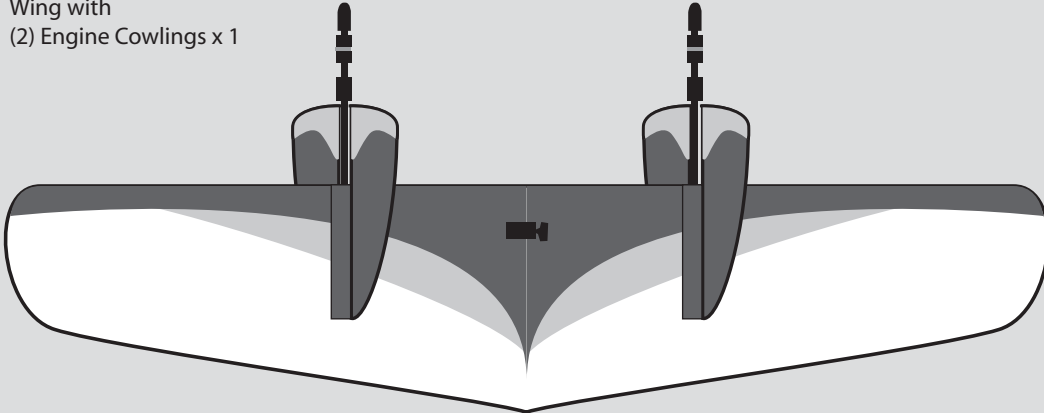
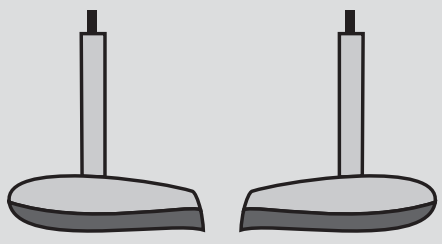
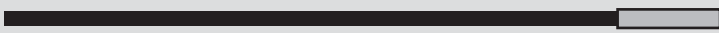
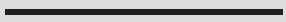

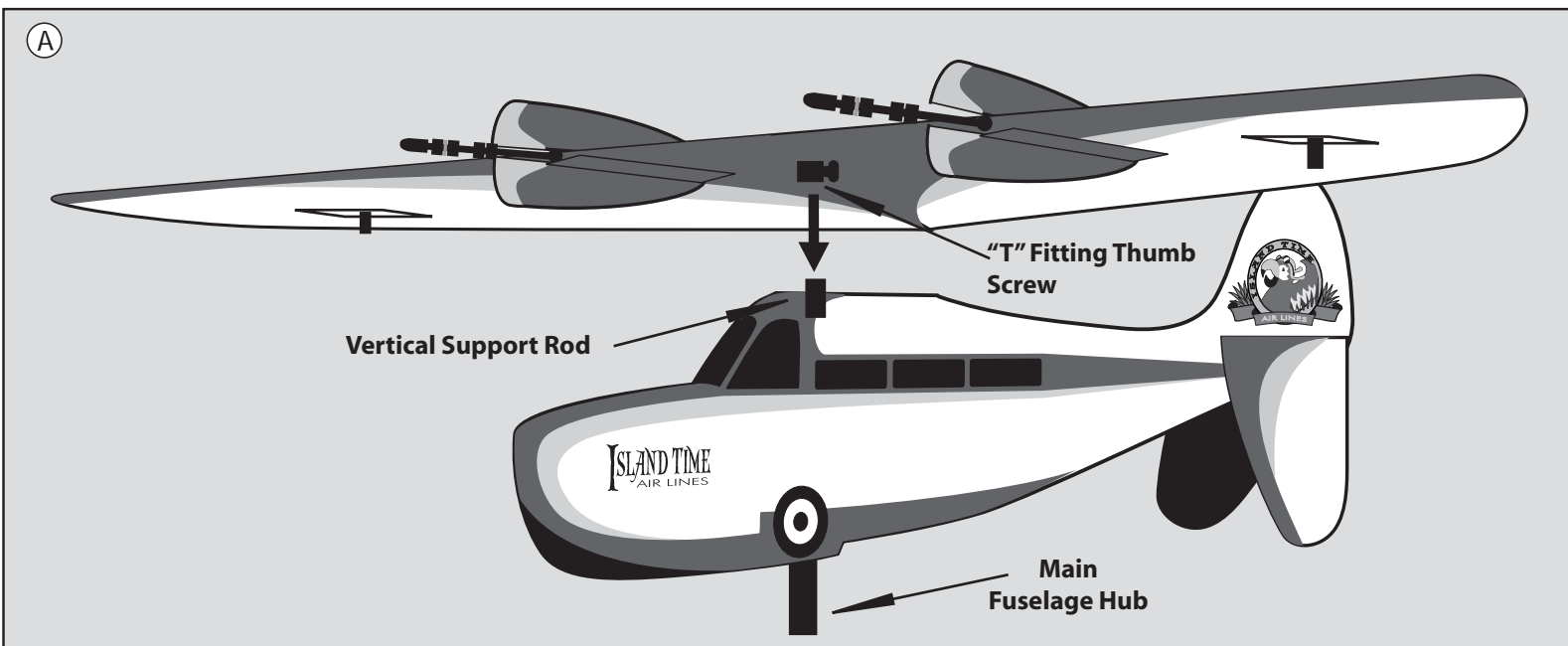


# Island Hopper Airplane Spinner *assembly instructions*

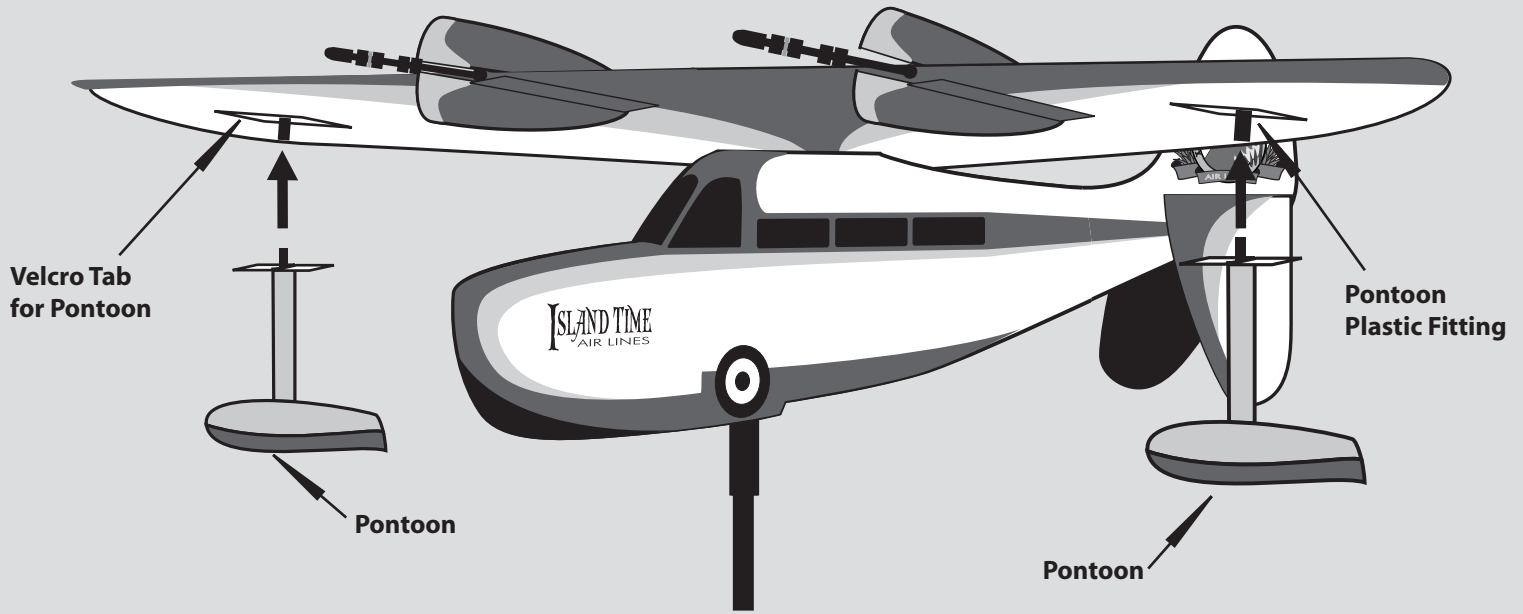
<p>Plane Fuselage x 1</p> 	<p>Spinner Propeller x 2</p> 
<p>Wing with (2) Engine Cowlings x 1</p> 	<p>Pontoons x 2</p> 
<p>Support Pole x 1</p> 	<p>Stabilizer Cross Strut x 1</p> 
<p>Ground Stake x 1</p> 	



**Step 1**

Slide the wing "T" Fitting Thumb Screw onto the Internal Vertical Support Rod. Be sure to tighten the Wing "T" Fitting Thumb Screw to secure the wing to the fuselage. Make sure the wing is fully seated on the Vertical Support Rod. Make sure the engine cowlings are perpendicular to the wing. (diagram A)

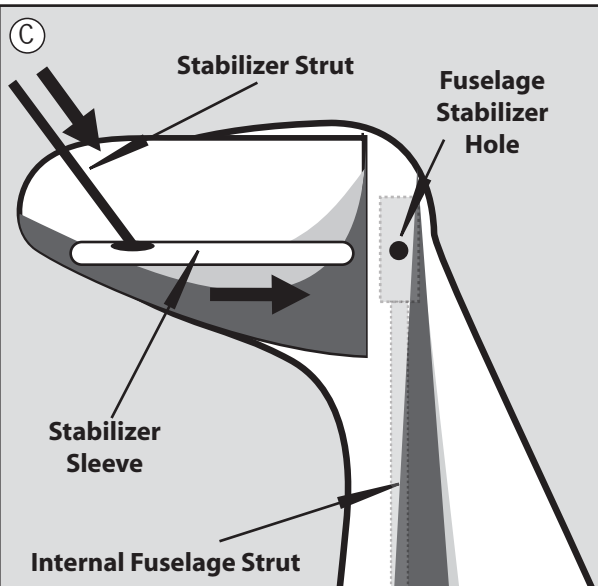
(B)



**Step 2**

Insert the Pontoon struts into the two plastic fittings on either side of the wing. Secure the Pontoons onto the under side of the wing with the Velcro tabs. (diagram B)

(C)

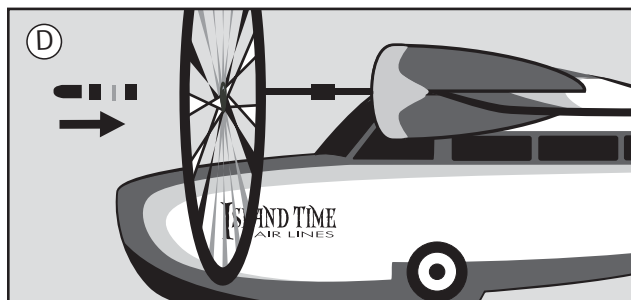


**Step 3**

Insert the Stabilizer Strut into the Stabilizer Sleeves located underneath the stabilizer. Guide the Stabilizer Strut through the Fuselage Stabilizer Hole and to the other side. Then slide the Stabilizer Strut through the other sleeve on the other side of the stabilizer. (diagram C)

You may have to shift the Fuselage Stabilizer Hole slightly to line up the stabilizer strut through the hole. Shifting the Fuselage Stabilizer Hole can be accomplished by grabbing the main fuselage hub and moving the internal fuselage strut.

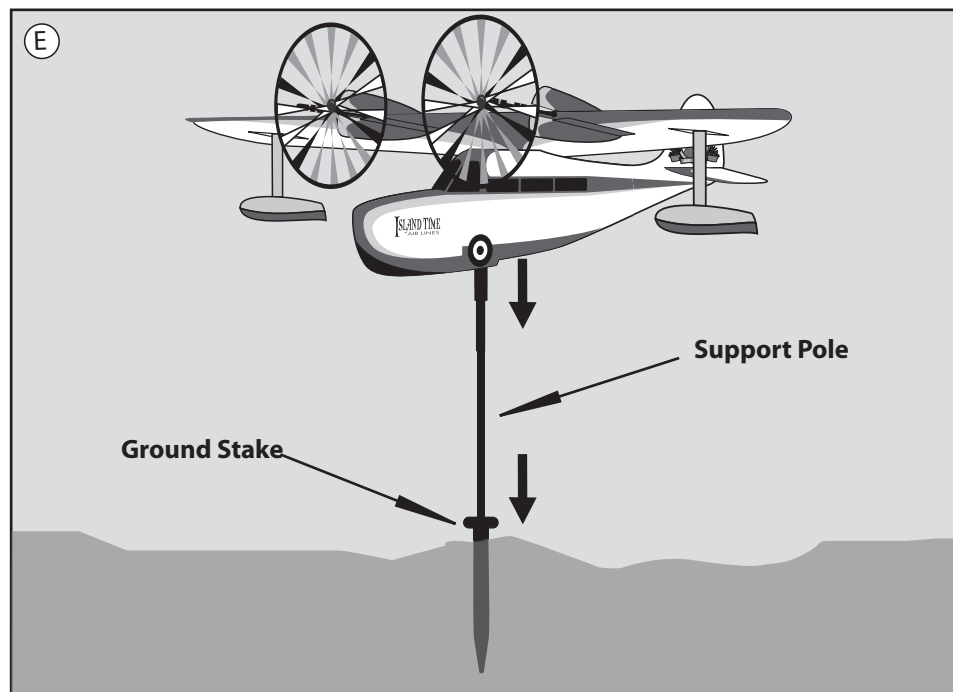
(D)



**Step 4**

Remove the plastic end caps and spacers from the propeller axles exiting from the front of the wing. Slide on the two Spinner Propellers. Place the Spinner Propellers onto the propeller axle, then replace the spacers and the end caps. (diagram D)

(E)



**Step 5**

Pound Ground Stake into ground and insert non-ferruled end of Support Pole into Ground Stake. Insert Upper Pole Section of completed Island Hopper Aircraft Spinner into ferrule on top of Support Pole. (diagram E)

**PLEASE NOTE:** Although your Airplane Spinner is constructed with UV resistant SunTex™ fabric, it is recommended that you take it inside during storms and harsh weather to preserve its durability.