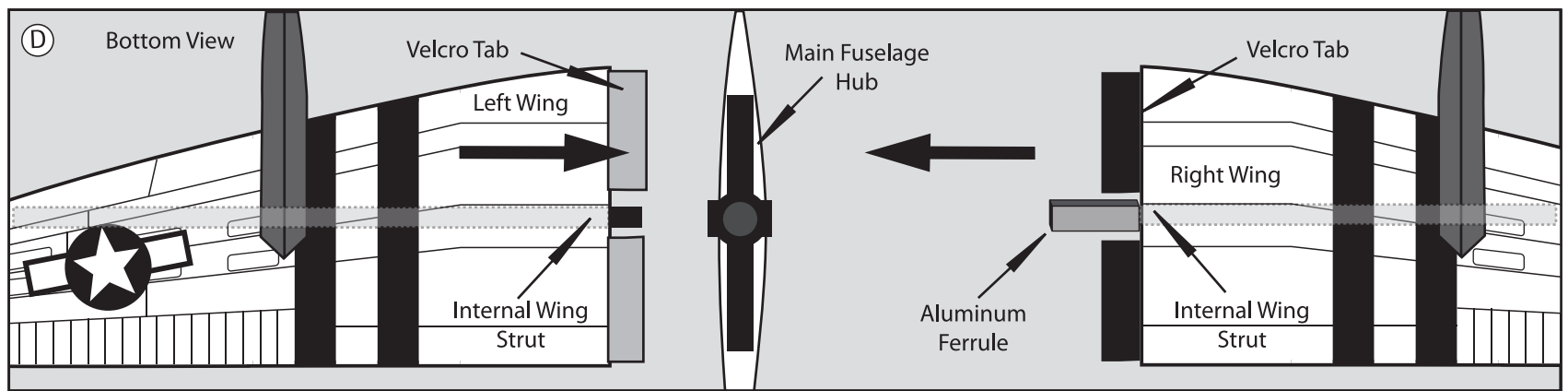


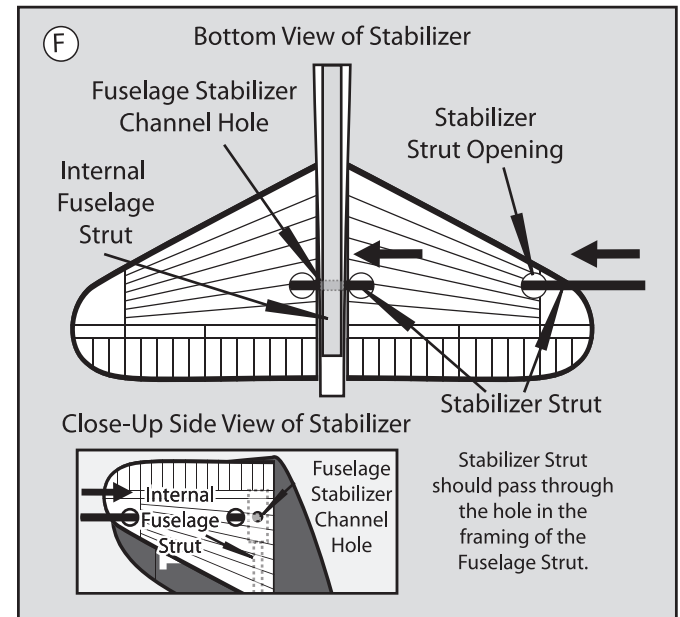
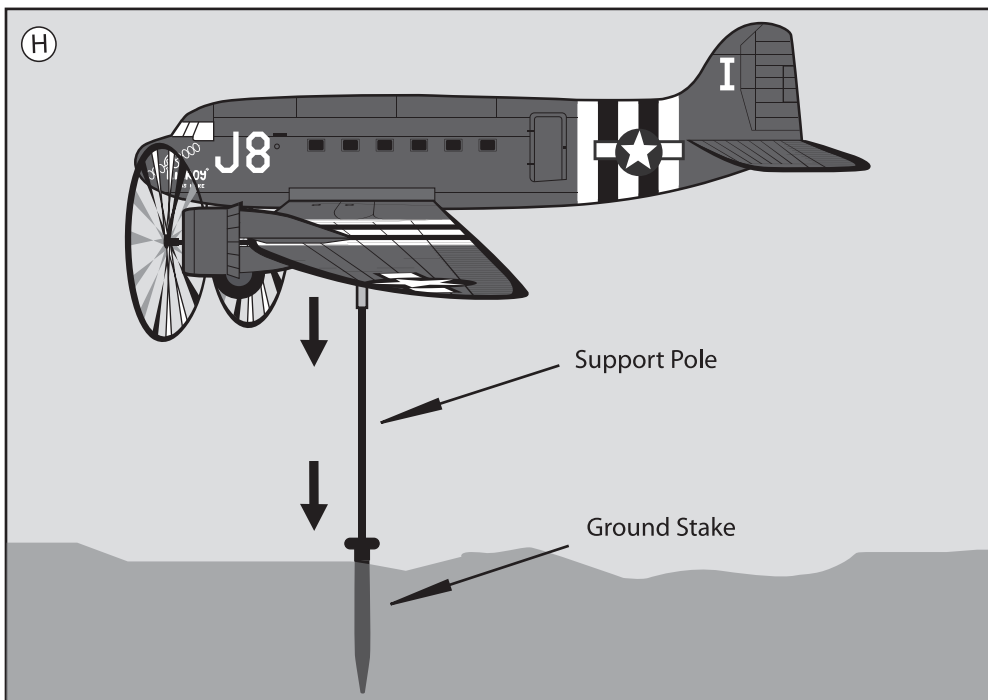
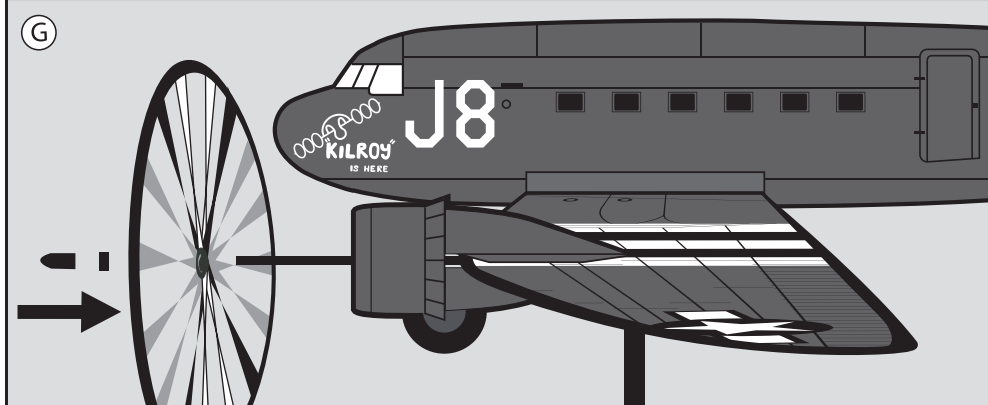
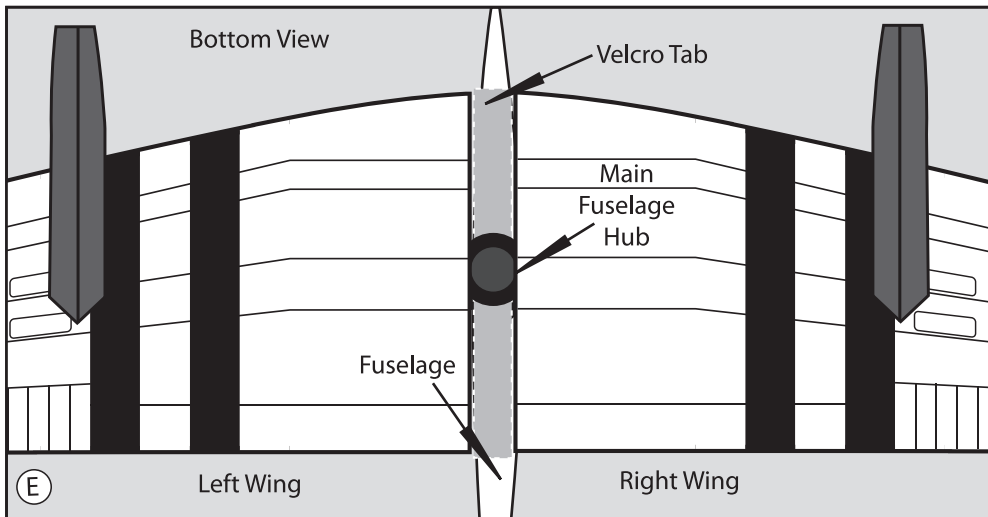
Step 1

Remove the end cap and spacer from the Engine Cowling Struts located on both wings. While holding the Engine Cowling, open and pull the bottom panel down so the space where the Engine Cowling Strut will slide is open. Slide the Engine Cowling onto the Engine Cowling Strut and over the downward facing Perpendicular "T" Fitting. Push the Engine Cowling all the way over the Engine Cowling Strut so it is up against the edge of the wing. Secure the Engine Cowling to the Wing by pressing the Velcro tabs firmly together. Please note that when completed, the Perpendicular "T" Fitting should be inside the Engine Cowling for support. Repeat Step 1 for the other wing. Put the end caps and spacers back on the Engine Cowling Struts. (diagrams A, B, & C)



Step 2

Insert the Aluminum Ferrule attached to the Internal Wing Strut of the Right Wing through the square opening of the Main Fuselage Hub. Then insert the Left Wing's Internal Wing Strut into the Aluminum Ferrule, which is inside the square channel of the Main Fuselage Hub. (diagram D)



Step 3

Secure the wings to the fuselage with the Velcro tabs on both the top and bottom of the Left and Right Wings. (diagram E)

Step 4

Insert the Stabilizer Strut into the opening of the stabilizer strut opening located underneath the stabilizer. Slide the Stabilizer Strut all the way through the Fuselage Stabilizer Channel Hole in the Internal Fuselage Strut and to the opposite wing tip. (diagram F)

You may have to shift the Fuselage Stabilizer Channel Hole slightly to line up the Stabilizer Strut through the hole. Shifting the Fuselage Stabilizer Channel Hole can be accomplished by grabbing the main fuselage hub and moving the Internal Fuselage Strut.

Step 5

Remove the plastic end caps and spacers from the Engine Cowling Struts and slide the Propeller Spinners onto both struts on each wing. Put the spacers and end caps back onto the Engine Cowling Struts to secure the spinners in place. (diagram G)

Step 6

Pound Ground Stake into ground and insert non-ferruled end of Support Pole into Ground Stake. Insert Upper Pole Section of completed C47 Gooney Bird Airplane Spinner into ferrule on top of Support Pole. (diagram H)

PLEASE NOTE: Although your Airplane Spinner is constructed with UV resistant SunTex™ fabric, it is recommended that you take it inside during storms and harsh weather to preserve its durability.