

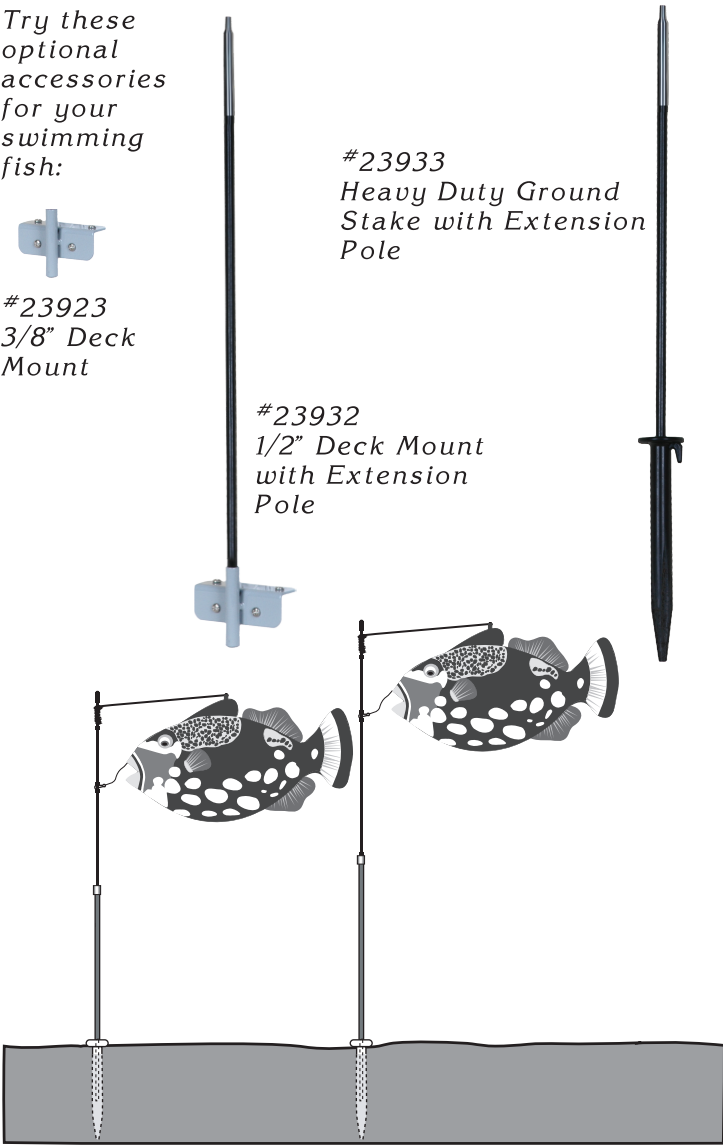
Try these optional accessories for your swimming fish:



#23923
3/8" Deck Mount

#23933
Heavy Duty Ground Stake with Extension Pole

#23932
1/2" Deck Mount with Extension Pole



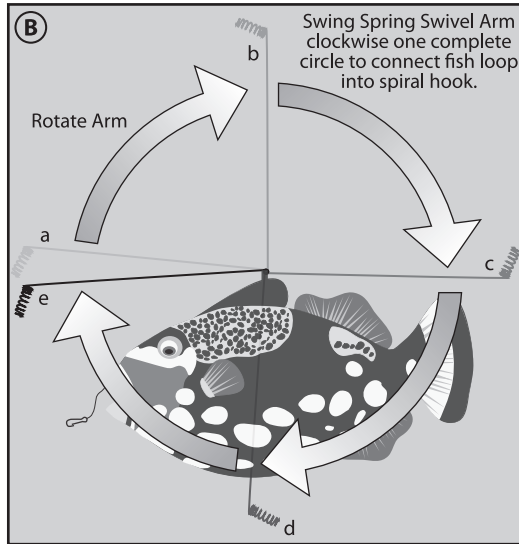
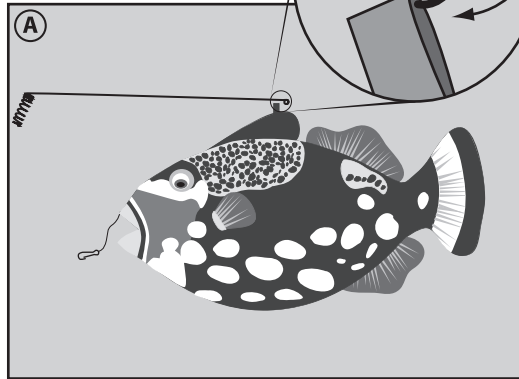
PLEASE NOTE: Although your Swimming Fish is constructed with UV resistant SolarMax™ fabric, it is recommended that you take it inside during storms and harsh weather to preserve its durability.

WindGarden
by premier designs

Clown Triggerfish *assembly instructions*

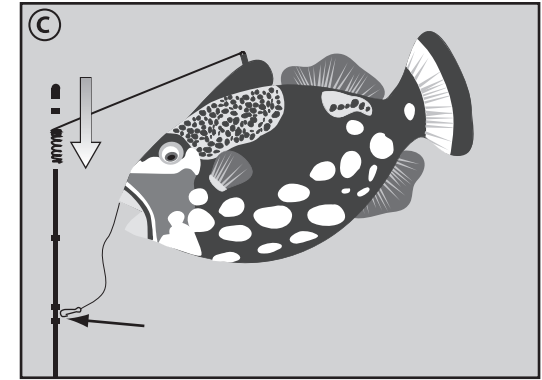
Step 1

Hold the Spring Swivel Arm above the fish as shown. Hook the tip of the metal spiral into the back of the fabric loop and swing the Swivel Arm around in one complete circle. (diagrams A & B)



Step 2

Pull the stopper off the top of the Upper Support Pole and slide the Spring Swivel Arm onto the Support Pole. Replace the stopper to hold the Arm into place. (diagram C)



Step 3

Clasp the string from the fishes mouth between the two stoppers on the Support Pole. (diagram C)

Step 4

Pound Ground Stake into ground and insert non-ferruled end of Support Pole into Ground Stake. Insert Upper Support Pole into Lower Support Pole. (diagram D). Enjoy your Swimming Fish!

