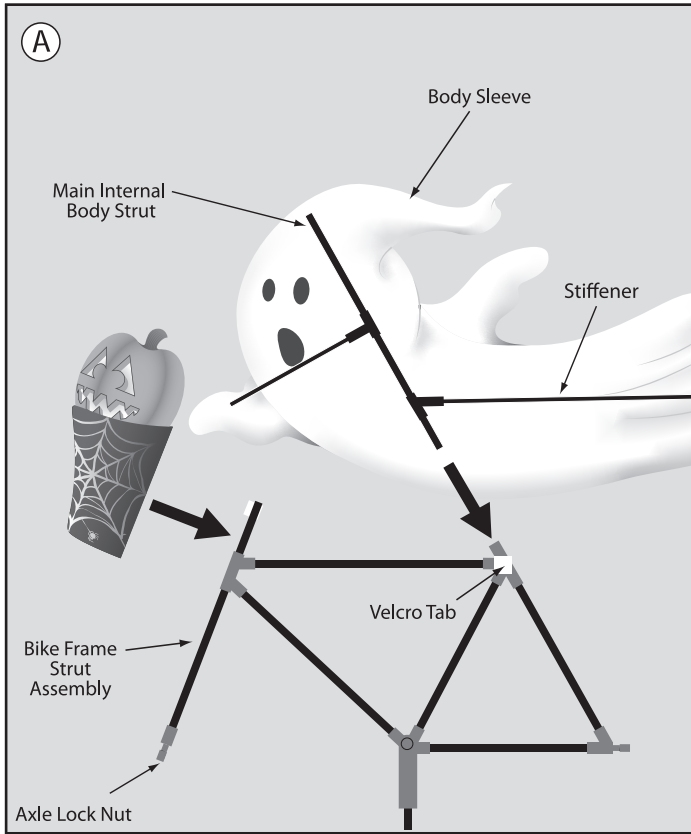


# Ghost Bike Spinner

assembly  
instructions

sku #26744



## Step 1

The Main Internal Body Strut comes already inserted in the Body Sleeve. First connect the Main Internal Body Strut to the Bike Frame Strut Assembly as shown in Diagram A. Attach all Velcro tabs on the inside of the Body Sleeve to the corresponding Velcro tabs on the Bike Frame.

## Step 2

Unscrew the threaded Axle Lock Nuts and slide one of the Axles onto the rear axle fitting. The axle can point either to the right or left but not to the top or bottom since this is where the wheel will sit. Replace the threaded Axle Lock Nut and tighten. Repeat with the front Axle Fitting making sure the Axle is pointed the same direction as the Rear Axle. (Diagram B)

## Step 3

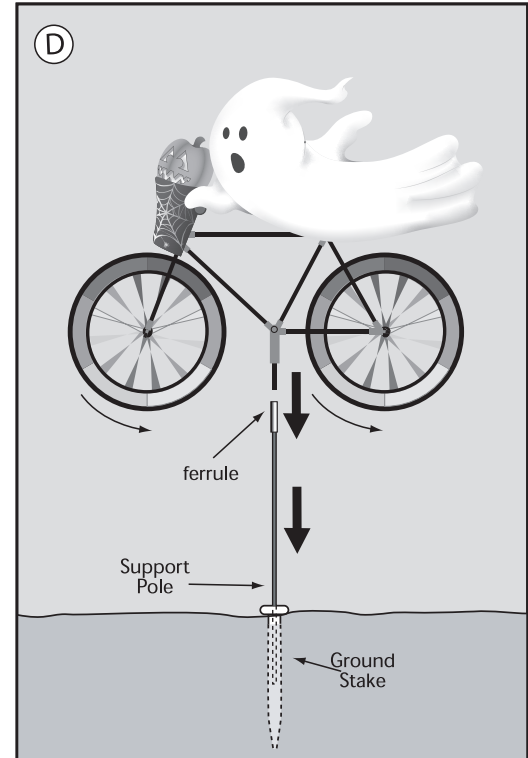
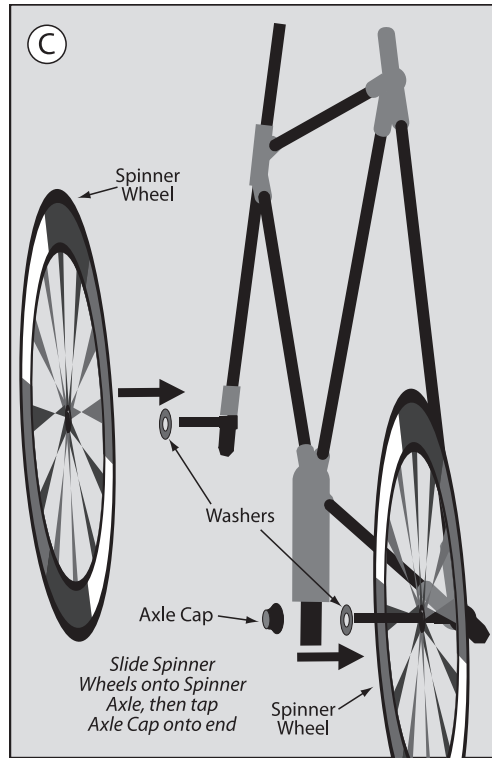
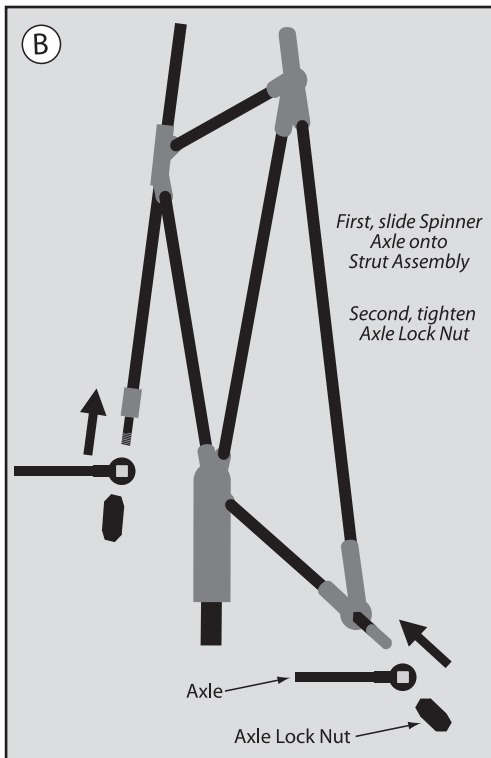
Slide Spinner Wheel and Washers onto Axle. The Washers should be placed on either side of the Wheel. Tap Axle Caps onto ends of the Axles using a mallet or piece of wood. (Diagram C)

## Step 4

Slide one Wheel onto each Axle and tap the Axle Caps onto the ends of the Axles using a mallet or a piece of wood. (Diagram C)

## Step 5

Drive Ground Stake into ground and insert non-ferruled end of Support Pole into ferrule on top of Support Pole. (Diagram D)



**PLEASE NOTE:** Although your Bicycle Spinner is constructed with UV resistant SunTex™ fabric, it is recommended that you take it inside during storms and harsh weather to preserve its durability.