

### Step 1

Remove your 22" Motorcycle Spinner from the package. Open the Velcro seam along the bottom of the Motorcycle. Slide the narrow, plastic tipped end of the Upper Support Pole into the Star Lock Hub. Push down on the hub until The Support Pole locks into place and can not be removed. Close Velcro Seam. (Diagram A)

### Step 2

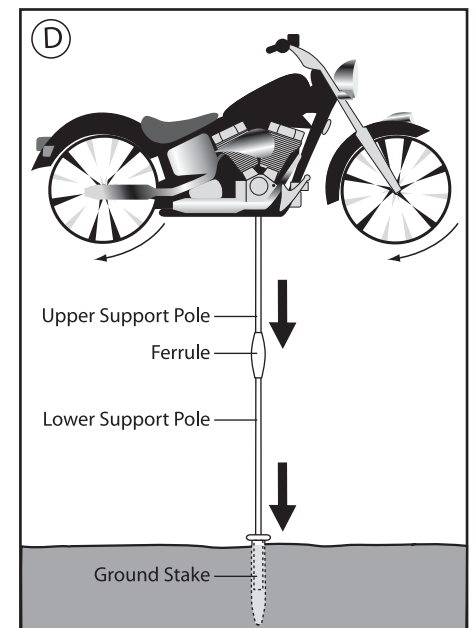
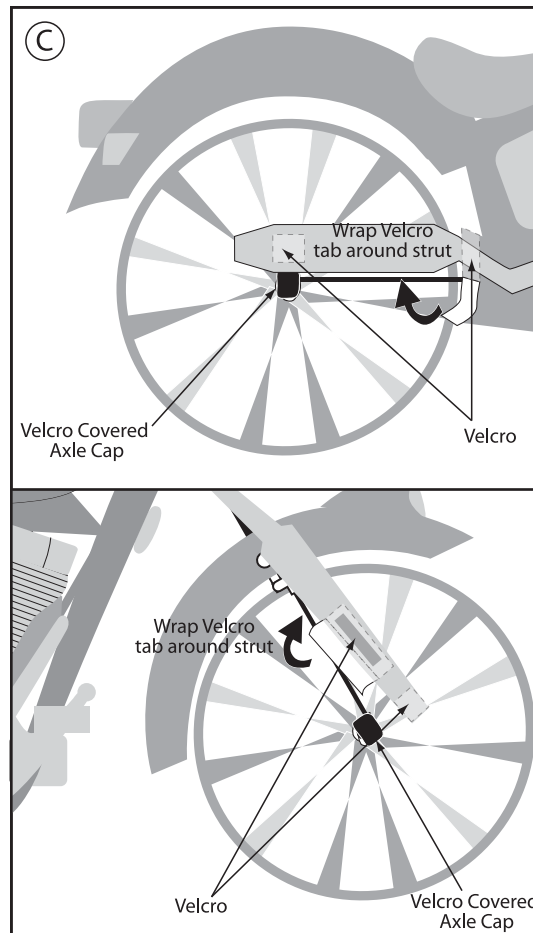
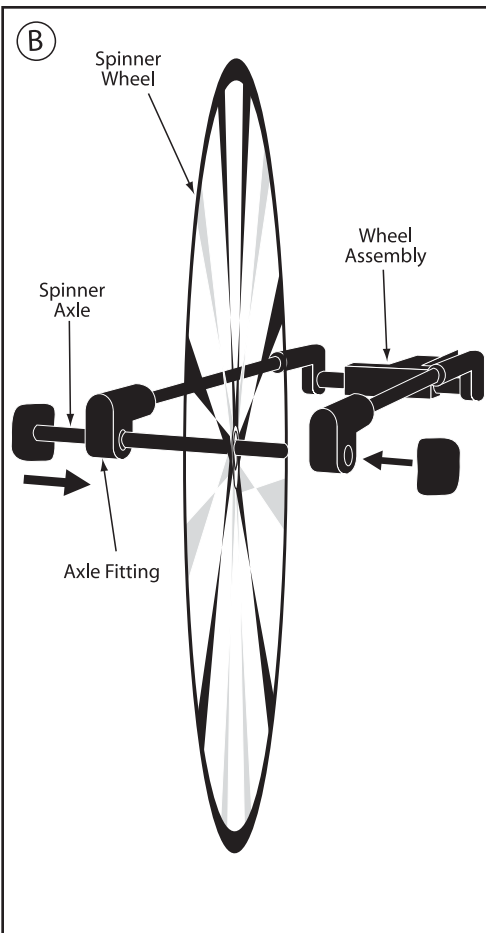
Take one of the two Spinner Wheels and position it between the Axle Fittings on the Rear Wheel Assembly. Slide the Spinner Axle all the way through the Axle Fittings and Wheel. Pound the loose Velcro Covered Axle Cap onto the uncapped end of the Spinner Axle using a mallet or piece of wood. Repeat with Front Wheel Assembly. (diagram B)

### Step 3

Slide the Rear Wheel Assembly and the Front Wheel Assembly onto the Strut Assembly. Make sure the headlight on the Front Wheel Assembly faces forward. Tighten the knobs on the T-Joints. (Diagram C)

### Step 4

Drive Ground Stake into ground and insert the non-ferruled end of the Lower Support Pole into the Ground Stake. Insert Upper Pole of assembled Motorcycle Spinner into the ferrule. (Diagram D)



**PLEASE NOTE: It is recommended that you take your Motorcycle Spinner inside during storms and harsh weather to preserve its durability.**