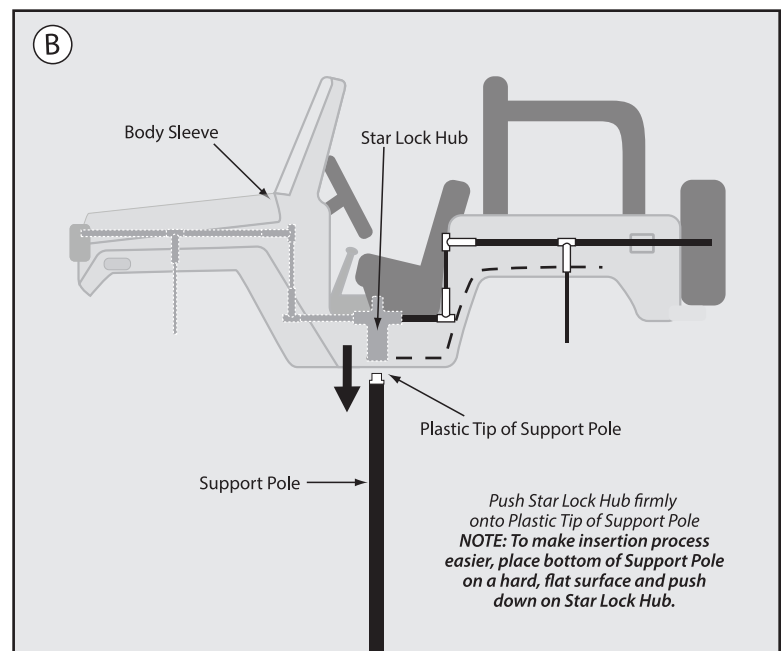
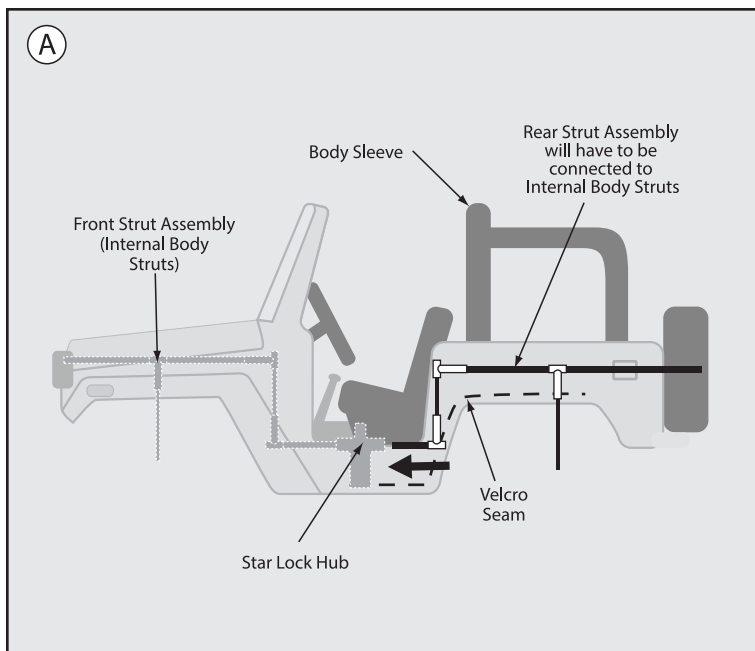
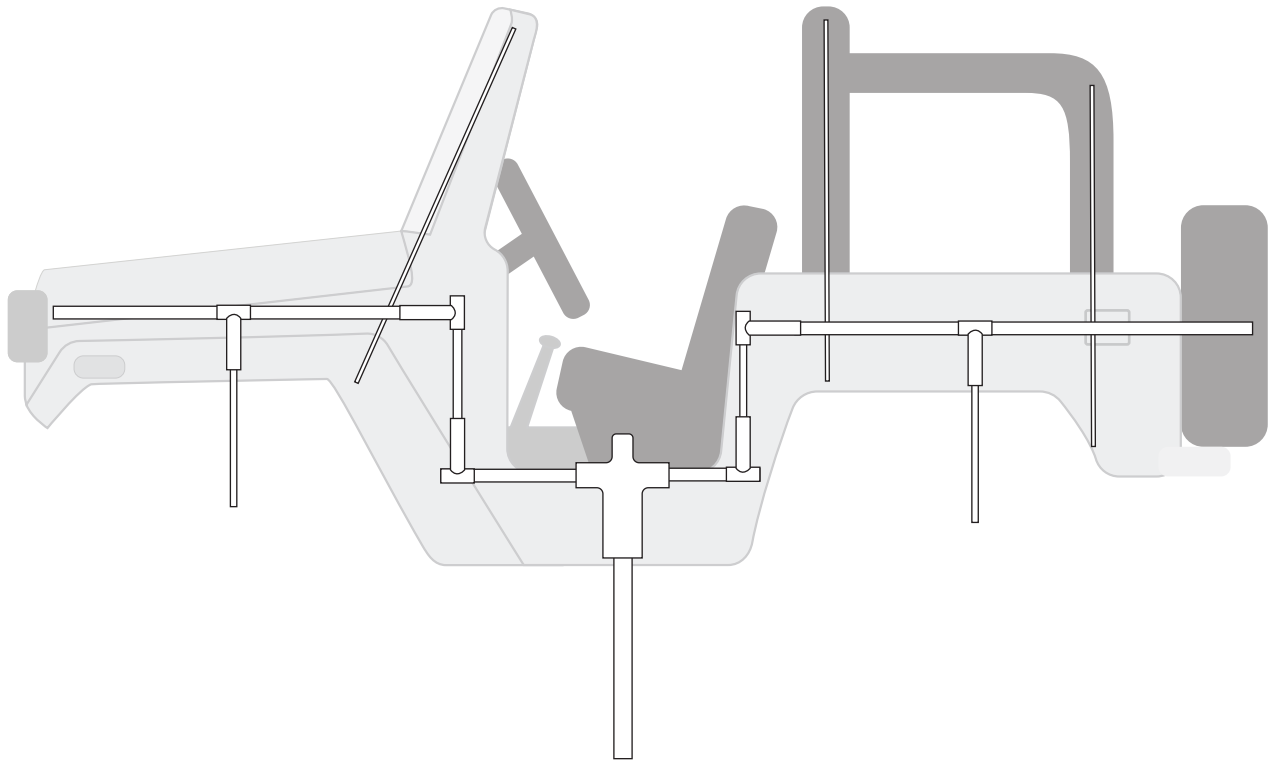


Completed Internal Strut Assembly.  
Make sure all parts connect as shown.

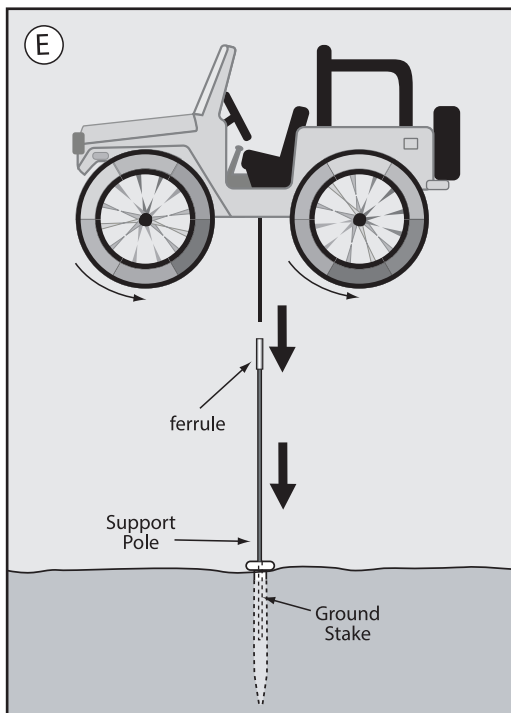
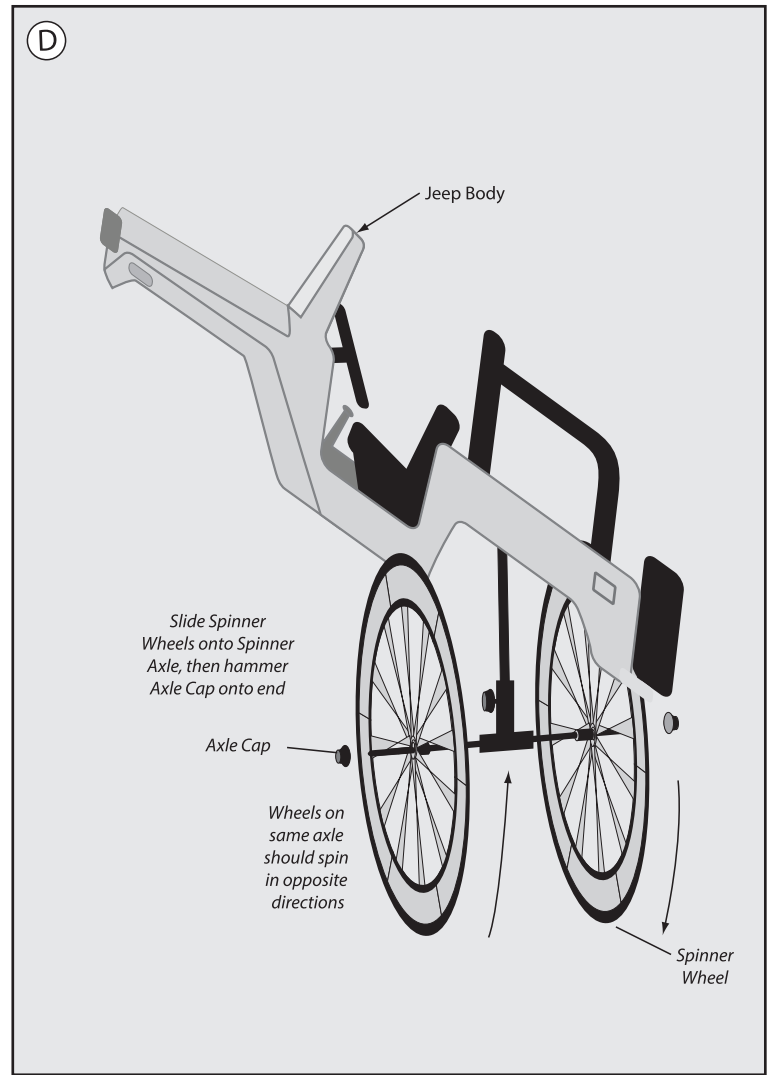
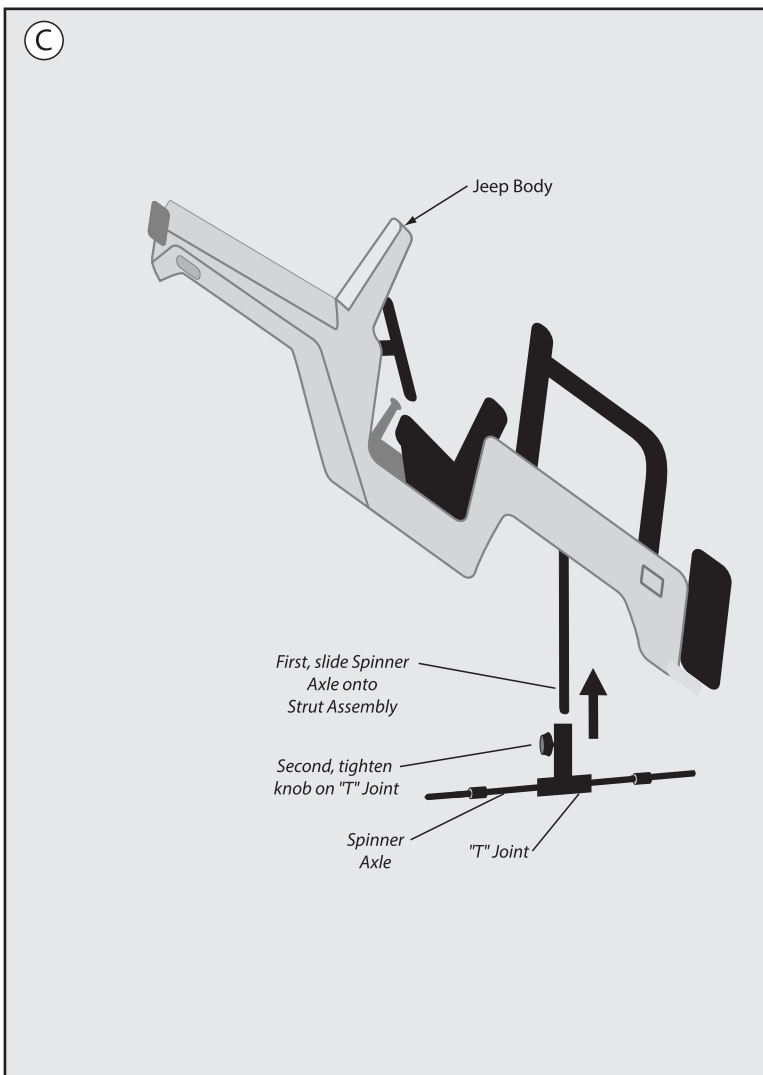


## Step 1

Remove your Jeep Spinner from the package. The Strut Assembly is shipped in three sections. Open the Velcro seam along the bottom of the Jeep. Connect the Rod of the Rear Strut Assembly to the Star Lock Hub of the Internal Front Strut Assembly. (Diagram A)

## Step 2

Slide the narrow, plastic tipped end of the Support Pole into Star Lock Hub. Push down on the hub until the Support Pole locks into place and cannot be removed. Close Velcro Seam. (Diagram B)



### Step 3

Slide the Spinner Axles onto the Wheel Strut Assemblies. Tighten knobs on the "T" Joints to hold the Axles to the Struts. (Diagram C)

### Step 4

Take one of the four Spinner Wheels and slide it onto the Spinner Axle. Slide second Spinner Wheel onto Spinner Axle. **(Note: Spinner Wheels on same axle should spin in opposite directions. Before putting second Axle Cap into place, make sure wheels spin as shown in diagrams C and D.)** Pound Axle Caps onto uncapped ends of Spinner Axle using a mallet or piece of wood. (Diagram D)

### Step 5

Repeat Step 4 using second Spinner Axle and the two remaining Spinner Wheels to assemble the front Spinner.

### Step 6

Drive Ground Stake into ground and insert the non-ferruled end of the Lower Support Pole into the Ground Stake. Insert Upper Pole of assembled Jeep Spinner into the ferrule. (Diagram E)

**PLEASE NOTE:** Although your 22" Red Jeep Spinner is constructed with UV resistant SunTex™ fabric, it is recommended that you take it inside during storms and harsh weather to preserve its durability.